

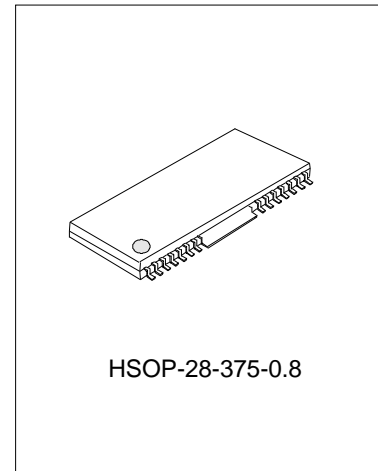
5-CH BTL DRIVER FOR DVD PLAYER WITH DISC BIDIRECTIONAL DRIVER AND TWO VARIABLE REGULATORS

DESCRIPTION

The SA5888 is a five-channel BTL driver IC for driving the motors and actuators in products such as CD - ROM / DVD drivers. It is also build-in two independent precision voltage regulators with adjustable range from 1.5V to 4V and one channel bi-direction DC motor driver for tray.

FEATURES

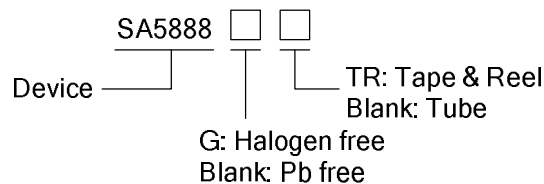
- * Wide dynamic range (4.0V (Typ.) when $V_{CC} = 8V$, $PVCC = 5V$, and $R_L = 8\Omega$).
- * Level shift circuit on chip.
- * Thermal shutdown circuit on chip.
- * Mute mode built-in.
- * Two regulator controllers built-in.
- * Five drivers build-in: dual actuator drivers, sled motor driver, spindle driver and tray in-out driver.



APPLICATIONS

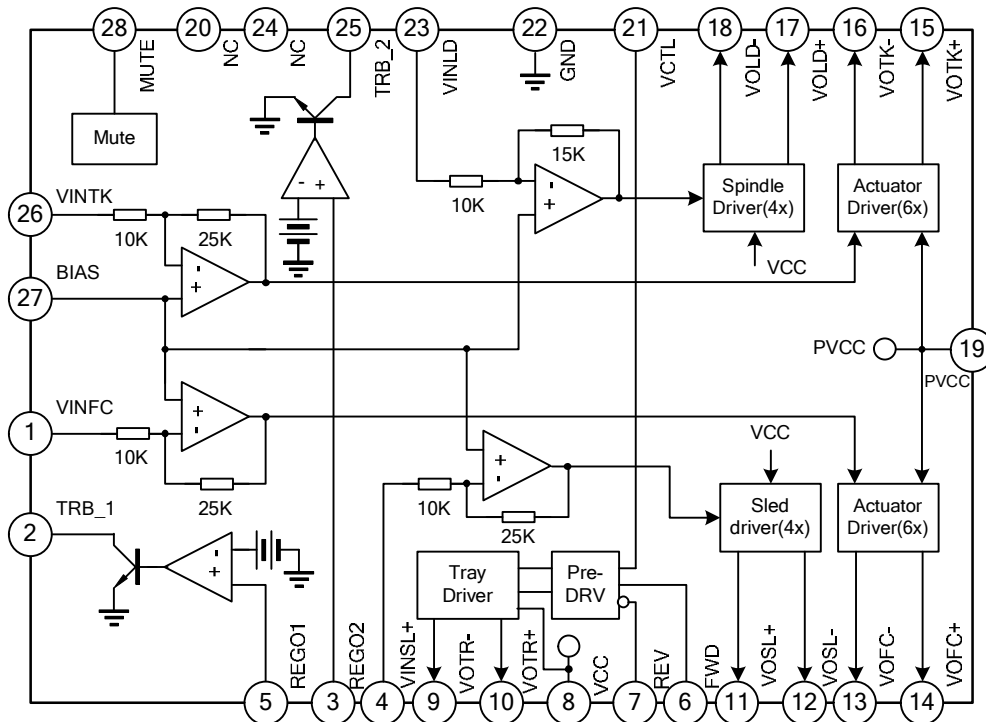
- * CD
- * CD-ROM
- * DVD

ORDERING INFORMATION



Part No.	Package	Marking	Material	Packing Type
SA5888	HSOP-28-375-0.8	SA5888	Pb free	Tube
SA5888TR		SA5888	Pb free	Tape & Reel
SA5888G		SA5888G	Halogen free	Tube
SA5888GTR		SA5888G	Halogen free	Tape & Reel

BLOCK DIAGRAM



ABSOLUTE MAXIMUM RATINGS (Otherwise specified, $T_{amb}=25^{\circ}C$)

Characteristics	Symbol	Value	Unit
Power Supply Voltage	VCC, 1/2PVCC	8	V
Power Dissipation	PD	1.7*	W
Operating Temperature	T_{opr}	-35~+85	$^{\circ}C$
Storage Temperature	T_{stg}	-55~+150	$^{\circ}C$

* When mounted on a 70mm X 70mm X 1.6mm glass epoxy board. Reduced by 13.6mW for each increase in T_{amb} of $1^{\circ}C$ over $25^{\circ}C$.

ELECTRICAL CHARACTERISTICS

(Unless other specified, $T_{amb}=25^{\circ}C$, $V_{CC}=8V$, $PV_{CC}=5V$, $BIAS=2.5V$, $R_L=8\Omega/10\Omega/20\Omega/45\Omega$)

Characteristics	Symbol	Test conditions	Min.	Typ.	Max.	Unit
Quiescent Current	I_{CC}		--	30	--	mA
Actuator Driver						
Output Offset Voltage	V_{OO}		-50	--	50	mV
Maximum Output Amplitude	V_{OM}	10 Ω Load	3.6	4.0	--	V
Voltage Gain	G_v	$V_{IN}=BIAS \pm 0.2V$	--	23.5	--	dB

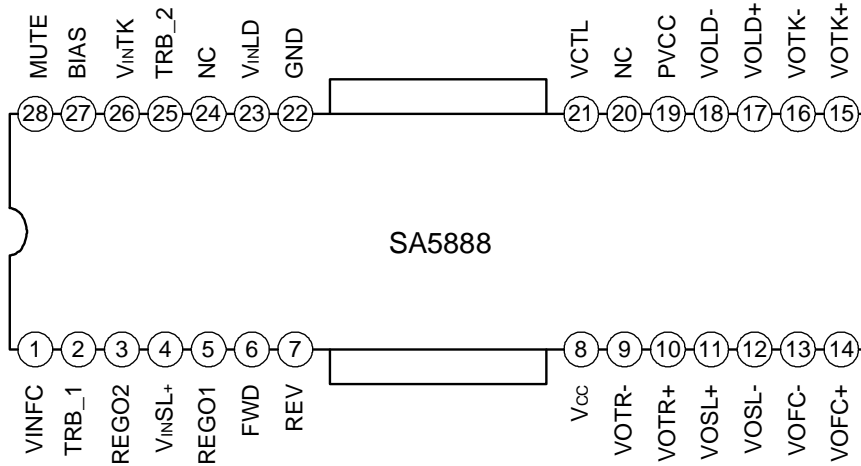
Characteristics	Symbol	Test conditions	Min.	Typ.	Max.	Unit
Spindle Driver						
Output Offset Voltage	VOOFSP		-50	0	50	mV
Maximum Output Amplitude	VOMSP	8Ω Load	--	3.5	--	V
Closed-Circuit Voltage Gain	GVSP	V _{IN} =BIAS ±0.2V	13.3	15.5	17.5	dB
Gain Error By Polarity	ΔGVSP	V _{IN} =BIAS ±0.2V	0	1	2	dB
Sled Driver						
Offset Voltage	VOOFSL		-100	0	100	mV
Maximum Output Amplitude	VOMSL	20Ω Load	7.5	9.0	--	V
Voltage Gain	GVSL	V _{IN} =BIAS ±0.2V	18	20	22	dB
STBY Logic						
STBY On Voltage	VSTBY1	All Channels Off	0	--	0.5	V
STBY Off Voltage	VSTBY2	All Channels On	2.0	--	--	V
Tray Motor Driver						
Output Saturation Voltage 1	VSAT1	Upper + Lower saturation, I _L =200mA	0.7	1.1	1.5	V
Output Saturation Voltage 1 Between F&R	ΔVSAT1	Output saturation voltage 1 between FWD and REV	-	-	0.1	V
Output Saturation Voltage 2	VSAT2	Upper + Lower saturation, I _L =500mA	1.0	1.55	2.2	V
Output Adjustable Gain On "H" Side Voltage	V _{VtrH}	V _{CTR} =2V	7.4	9.2	11	dB
Tray Motor Driver Input Logic						
High Level Input Voltage	V _{IH}		1.5	-	V _{CC}	V
Low Level Input Voltage	V _{IL}		-0.3	-	0.5	V
High Level Input Current	I _{IH}	V _{FWD} =V _{REV} =5V	-	180	270	μA
Regulator						
Output Voltage	V _{reg}	I _L = 500mA ^②	1.5	--	4.0	V
Output load differential	ΔV _{RL}	I _L = 0~500mA ^③	-50	-0	50	mV
Power supply voltage differential	ΔV _{VCC}	(V _{CC} =4.5~8V) I _L = 500mA	-25	0	25	mV

①This device is not designed for protection against radioactive rays;

②It is based on 8550C PNP application;

③It is based on 8550D PNP application.

PIN CONFIGURATIONS



PIN DESCRIPTIONS

Pin No.	Pin Name	Description
1	VINFC	Focus driver input
2	TRB_1	Connect to external transistor base
3	REGO2	Regulator voltage output, connect to external transistor collector
4	VINSL+	Sled driver input
5	REGO1	Regulator voltage output, connect to external transistor collector
6	FWD	Tray driver forward input
7	REV	Tray driver reverse input
8	VCC	VCC
9	VOTR-	Tray driver output(-)
10	VOTR+	Tray driver output(+)
11	VOSL+	Sled driver output (+)
12	VOSL-	Sled driver output (-)
13	VOFC-	Focus driver output (-)
14	VOFC+	Focus driver output (+)
15	VOTK+	Tracking driver output (+)
16	VOTK-	Tracking driver output (-)
17	VOLD+	Spindle driver output (+)
18	VOLD-	Spindle driver output (-)
19	PVCC	Vcc for power block of spindle, tracking and focus
20	NC	No connection
21	VCTL	Speed control input of tray driver
22	GND	Ground
23	VINLD	Spindle driver input

Pin No.	Pin Name	Description
24	NC	No connection
25	TRB_2	Connect to external transistor base
26	VINTK	Tracking driver input
27	BIAS	Bias input
28	MUTE	Mute control

Notes: The indicated polarities for the output pins are means polarity to inputs.

Always ensure that $V_{CC} \geq V_{PVCC}$

FUNCTION DESCRIPTION

Operation notes

- 1) This IC has a built in thermal shutdown circuit that mutes the output current when the chip temperature reaches 135°C (typ.). The hysteresis is set to 25 °C (typ.), so the driver circuits start up again when the chip temperature falls to 120°C (typ.).
- 2) The driver buffer is switched off when the supply voltage falls below 3.6V (typ.), and is switched back on when the voltage reaches 3.8V (typ.) again.
- 3) Bias pin (pin27) should be pulled up to more than 1.2V. In case the bias pin voltage is pulled down below 0.9V (Typ), the output current is muted.
- 4) The stand by circuit logic is active low.
- 5) Mute is applied when the buffer pin voltage falls below 1.0V (typ.). Normally, operate with this pin at 1.8V at least.
- 6) Connect a bypass capacitor between the bases of the power supply pins of this IC.
- 7) Tray driver logic input:

FWD(pin6)	REV(pin7)	VOTR+(pin10)	VOTR-(pin9)	Function
L	L	OPEN	OPEN	Open mode
L	H	L	H	Reverse mode
H	L	H	L	Forward mode
H	H	L	L	Brake mode

The design of 6,7 pin, consider the driver upper and lower unable ducting at the same time, be sure to do it, the motor forward and reverse input by the open mode, and the interval of the open mode is more than 10ms.

Output high level voltage (VOL+, VOL-) ,varied with the motor controller, it can output 3 times voltage of 21pin, and in high level. In this time, the low level voltage input power pipe as the output saturation voltage.

ELECTRICAL CHARACTERISTICS CURVES

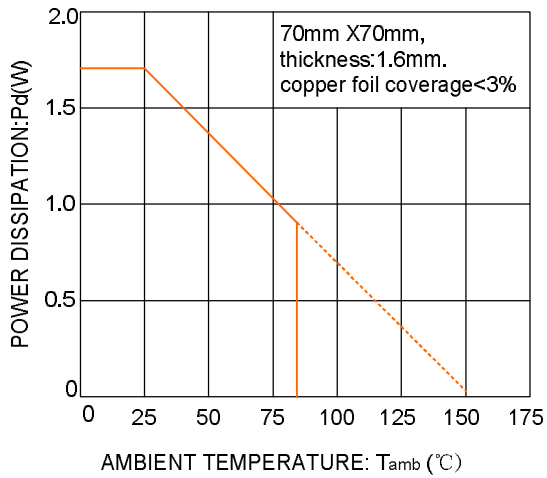


Fig 1. Thermal dissipation curve

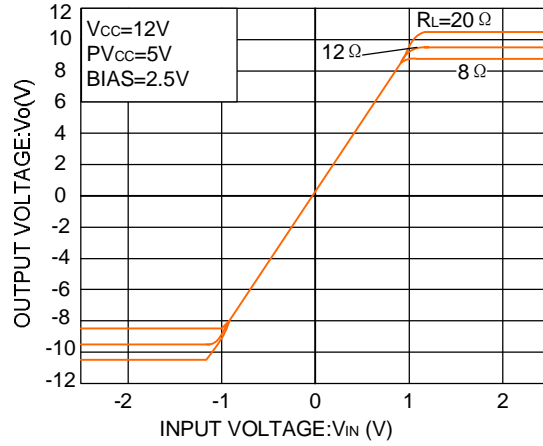


Fig 2. Driver I/O characteristics (Spindle)

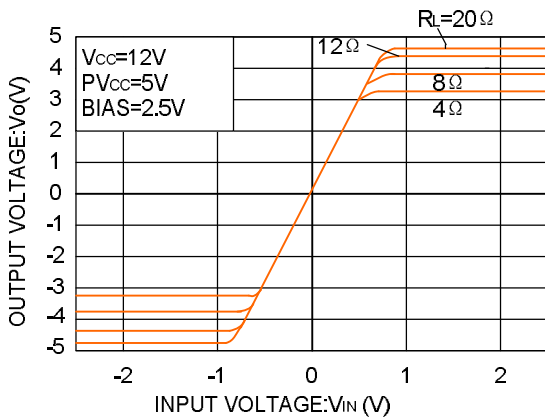
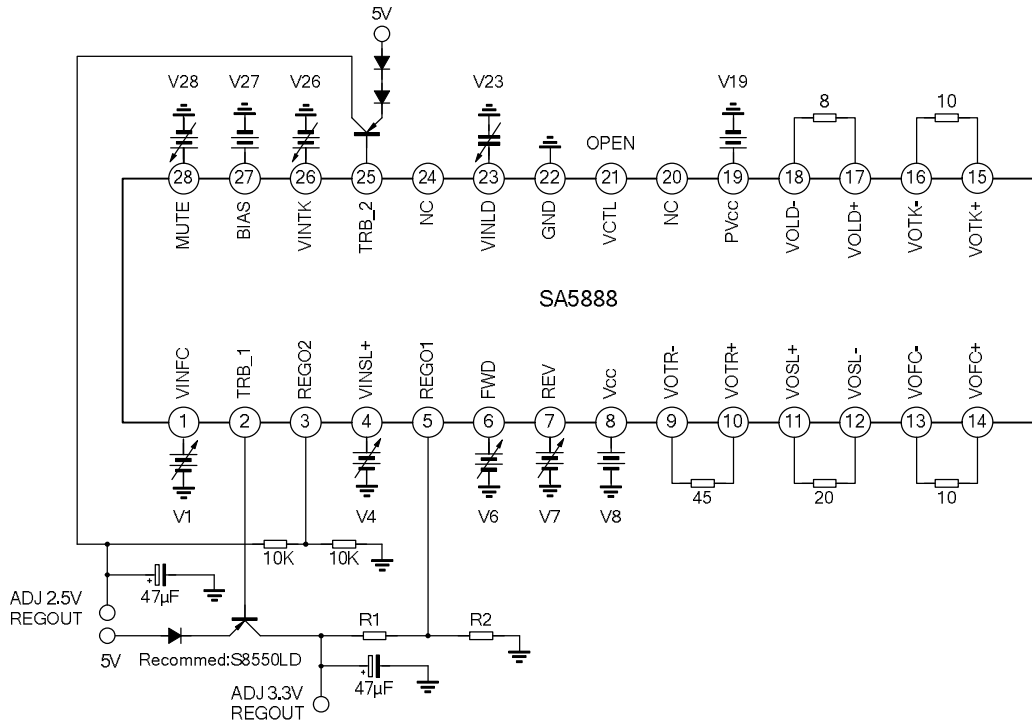
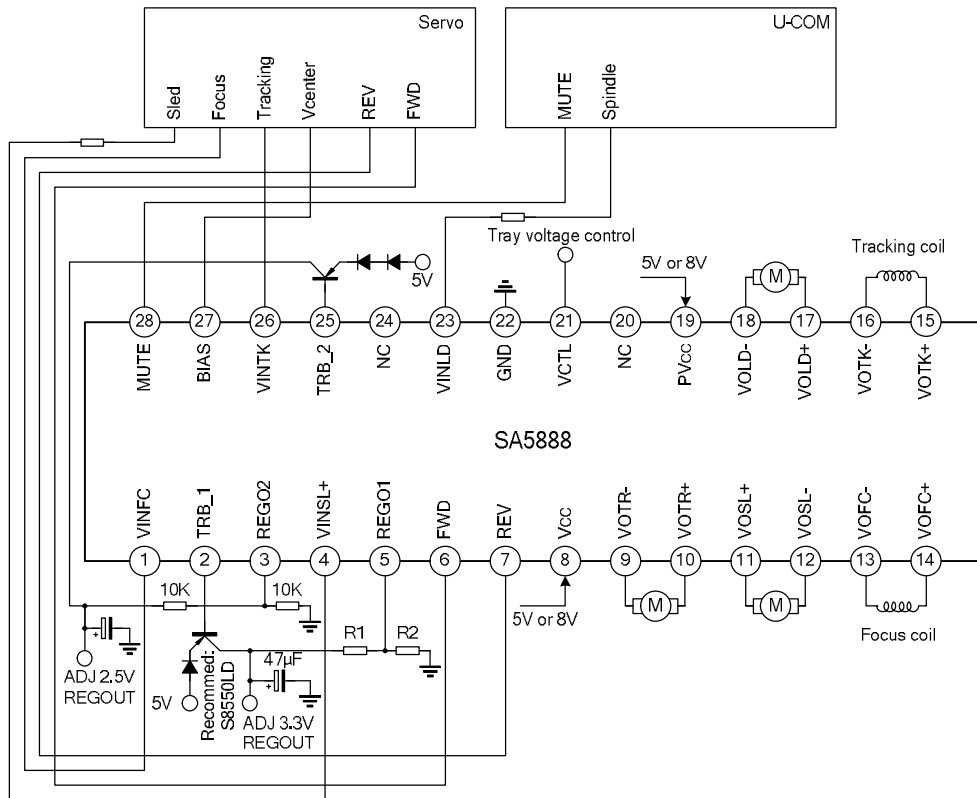


Fig 3. Driver I/O characteristics (sled)

TEST CIRCUIT



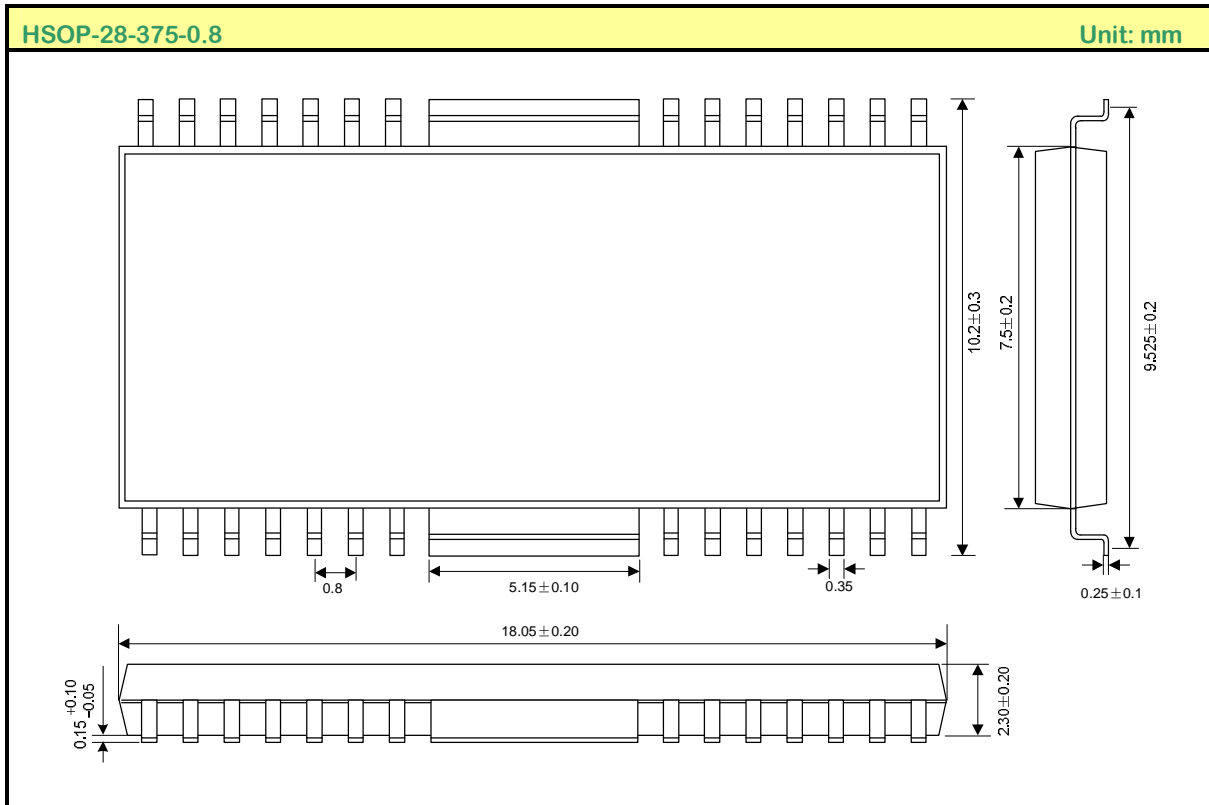
TYPICAL APPLICATION CIRCUIT



Note: the value of R1 and R2 in testing circuit and typical application circuit is as the following table:

Solution	SA5888 R1 and R2 are:
卓然	24K and 15K
凌阳	24K and 15K
MTK	20K and 12K

PACKAGE OUTLINE



Disclaimer:

- Silan reserves the right to make changes to the information herein for the improvement of the design and performance without further notice!
- All semiconductor products malfunction or fail with some probability under special conditions. When using Silan products in system design or complete machine manufacturing, it is the responsibility of the buyer to comply with the safety standards strictly and take essential measures to avoid situations in which a malfunction or failure of such Silan products could cause loss of body injury or damage to property.
- Silan will supply the best possible product for customers!