

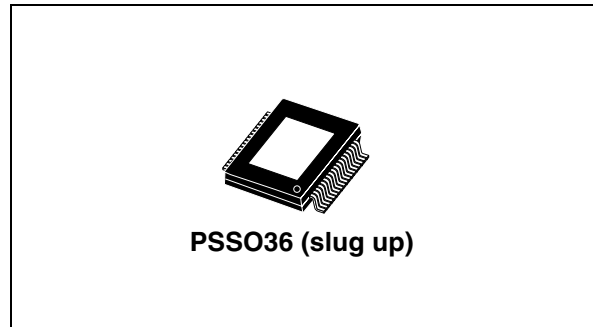
## 40V 3.5A quad power half bridge

### Feature

- Multipower BCD technology
- Minimum input output pulse width distortion
- 200mΩ  $R_{dsON}$  complementary dmos output stage
- CMOS compatible logic inputs
- Thermal protection
- Thermal warning output
- Under voltage protection
- Short circuit protection

### Description

STA518 is a monolithic quad half bridge stage in Multipower BCD Technology. The device can be used also as dual bridge or reconfigured, by connecting CONFIG pin to Vdd pin, as single bridge with double current capability.



The device is particularly designed to make the output stage of a stereo All-Digital High Efficiency (DDX™) amplifier capable to deliver an output power of 24W x 4 channels @ THD = 10% at Vcc 30V on 4W load in single ended configuration. It can also deliver 50 + 50W @ THD = 10% at Vcc 29V as output power on 8W load in BTL configuration and 70W @ THD = 10% at Vcc 34V on 8W in single paralleled BTL configuration.

The input pins have threshold proportional to VL pin voltage.

### Order codes

Part number	Temp range, °C	Package	Packing
STA518	-40 to 90	PowerSSO36 (slug up)	Tube
STA51813TR	-40 to 90	PowerSSO36 (slug up)	Tape & reel

---

# Contents

- 1      Audio application circuit ..... 5**
- 2      Pins description ..... 6**
- 3      Electrical specifications ..... 8**
  - 3.1 Absolute maximum ratings ..... 8
  - 3.2 Recommended operating conditions ..... 8
  - 3.3 Thermal data ..... 8
  - 3.4 Thermal information ..... 8
  - 3.5 Electrical characteristics ..... 9
- 4      Technical information ..... 12**
  - 4.1 Logic interface and decode: ..... 12
  - 4.2 Power outputs: ..... 13
  - 4.3 Parallel output / high current operation: ..... 13
  - 4.4 Additional informations: ..... 13
- 5      Characterization curves ..... 15**
- 6      Package information ..... 17**
- 7      Revision history ..... 18**

## List of tables

Table 1.	Pin Function . . . . .	6
Table 2.	Functional Pin Status . . . . .	7
Table 3.	Absolute maximum ratings . . . . .	8
Table 4.	Recommended operating conditions . . . . .	8
Table 5.	Thermal data . . . . .	8
Table 6.	Electrical Characteristics . . . . .	9
Table 7.	VLOW, VHIGH variation with $I_{bias}$ . . . . .	10
Table 8.	Logic Truth Table (see <a href="#">Figure 4</a> ) . . . . .	10
Table 9.	Document revision history . . . . .	18

# List of figures

Figure 1. Audio application circuit ( Quad single ended) ..... 5

Figure 2. Pin Connection (top view) ..... 6

Figure 3. Low current dead time for Single End application: test circuit. .... 11

Figure 4. High current dead time for Bridge application: block diagram ..... 11

Figure 5. High current dead time for Bridge application: test circuit. .... 11

Figure 6. STA518 Block Diagram Full-Bridge DDX® or Binary Modes ..... 12

Figure 7. STA518 Block Diagram Binary Half-Bridge Mode ..... 12

Figure 8. Typical Stereo Full Bridge Configuration ..... 14

Figure 9. Typical Single BTL Configuration ..... 14

Figure 10. Power Dissipation vs Output Power ..... 15

Figure 11. Power Derating Curve ..... 15

Figure 12. THD+N vs Output Power ..... 15

Figure 13. Output Power vs Supply Voltage ..... 15

Figure 14. THD vs Frequency ..... 15

Figure 15. Output Power vs Supply Voltage ..... 16

Figure 16. THD+N vs Output Power ..... 16

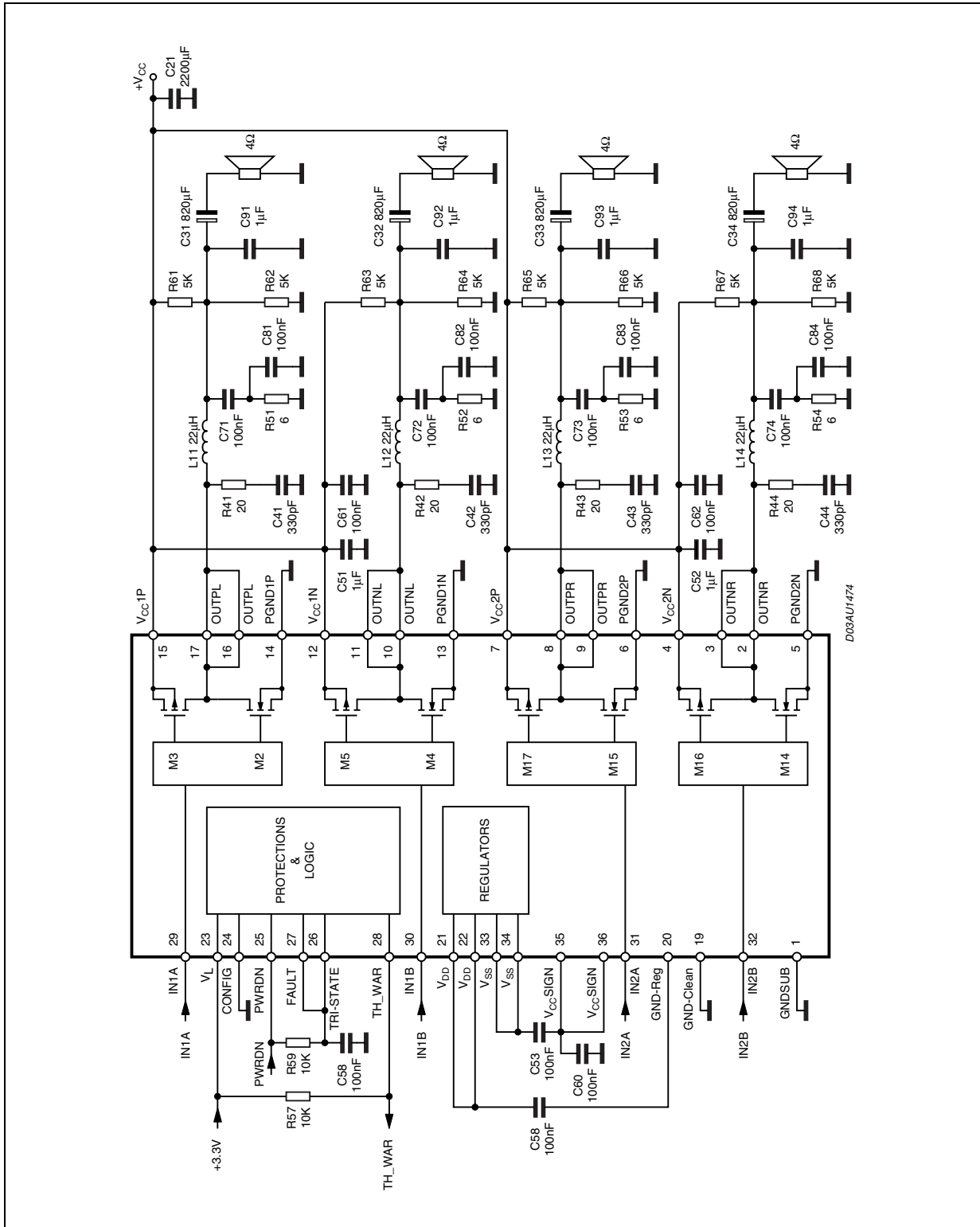
Figure 17. Power Dissipation vs Output Power ..... 16

Figure 18. THD+N vs Output Power ..... 16

Figure 19. PSSO36 (Slug Up) Mechanical Data & Package Dimensions ..... 17

# 1 Audio application circuit

Figure 1. Audio application circuit ( Quad single ended)



## 2 Pins description

Figure 2. Pin Connection (top view)

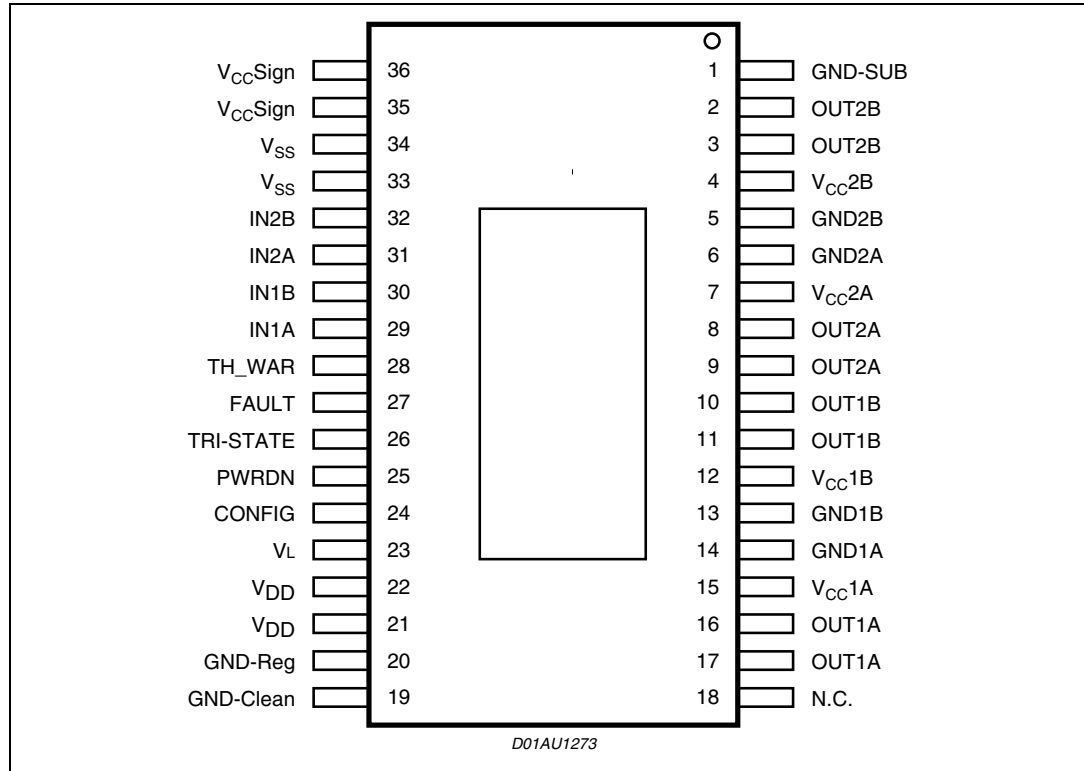


Table 1. Pin Function

N°	Pin	Description
1	GND-SUB	Substrate ground
2 ; 3	OUT2B	Output half bridge 2B
4	V <sub>CC</sub> 2B	Positive supply
5	GND2B	Negative Supply
6	GND2A	Negative Supply
7	V <sub>CC</sub> 2A	Positive supply
8 ; 9	OUT2A	Output half bridge 2A
10 ; 11	OUT1B	Output half bridge 1B
12	V <sub>CC</sub> 1B	Positive supply
13	GND1B	Negative Supply
14	GND1A	Negative Supply
15	V <sub>CC</sub> 1A	Positive supply
16 ; 17	OUT1A	Output half bridge 1A
35 ; 36	V <sub>CC</sub> Sign	Signal Positive supply

**Table 1. Pin Function (continued)**

N°	Pin	Description
18	NC	Not connected
19	GND-clean	Logical ground
20	GND-Reg	Ground for regulator Vdd
21 ; 22	Vdd	5V Regulator referred to ground
23	VL	Logic Reference Voltage
24	CONFIG	Configuration pin
25	PWRDN	Stand-by pin
26	TRI-STATE	Hi-Z pin
27	FAULT	Fault pin advisor
28	TH-WAR	Thermal warning advisor
29	IN1A	Input of half bridge 1A
30	IN1B	Input of half bridge 1B
31	IN2A	Input of half bridge 2A
32	IN2B	Input of half bridge 2B
33 ; 34	Vss	5V Regulator referred to +Vcc
35 ; 36	Vcc Sign	Signal Positive supply

**Table 2. Functional Pin Status**

Pin Name	Pin N.	Logical value	IC - STATUS
FAULT	27	0	Fault detected (Short circuit, or Thermal.)
FAULT *	27	1	Normal Operation
TRI-STATE	26	0	All powers in Hi-Z state
TRI-STATE	26	1	Normal operation
PWRDN	25	0	Low consumption
PWRDN	25	1	Normal operation
THWAR	28	0	Temperature of the IC =130C
THWAR <sup>(1)</sup>	28	1	Normal operation
CONFIG	24	0	Normal Operation
CONFIG <sup>(2)</sup>	24	1	OUT1A=OUT1B ; OUT2A=OUT2B (IF IN1A = IN1B; IN2A = IN2B)

1. The pin is open collector. To have the high logic value, it needs to be pulled up by a resistor.
2. To put CONFIG = 1 means connect Pin 24 (CONFIG) to Pins 21, 22 (Vdd) to implemented single BTL (MONO MODE) operation for high current.

## 3 Electrical specifications

### 3.1 Absolute maximum ratings

**Table 3. Absolute maximum ratings**

Symbol	Parameter	Value	Unit
$V_{CC}$	DC Supply Voltage (Pin 4,7,12,15)	40	V
$V_{max}$	Maximum Voltage on pins 23 to 32	5.5	V
$T_{op}$	Operating Temperature Range	-40 to 90	°C
$P_{tot}$	Power Dissipation (Tcase = 70°C)	21	W
$T_{stg}, T_j$	Storage and Junction Temperature	-40 to 150	°C

### 3.2 Recommended operating conditions

**Table 4. Recommended operating conditions (\*)**

Symbol	Parameter	Min.	Typ.	Max.	Unit
$V_{CC}$	DC Supply Voltage	10		36.0	V
$V_L$	Input Logic Reference	2.7	3.3	5.0	V
$T_{amb}$	Ambient Temperature	0		70	°C

(\*) performances not guaranteed beyond recommended operating conditions

### 3.3 Thermal data

**Table 5. Thermal data (\*)**

Symbol	Parameter	Min.	Typ.	Max.	Unit
$T_{j-case}$	Thermal Resistance Junction to Case (thermal pad)			1.5	°C/W
$T_{jSD}$	Thermal shut-down junction temperature		150		°C
$T_{warn}$	Thermal warning temperature		130		°C
$t_{hSD}$	Thermal shut-down hysteresis		25		°C

(\*) see Thermal information

### 3.4 Thermal information

The power dissipated within the device depends primarily on the supply voltage, load impedance and output modulation level. The PSSO36 Package of the STA518 includes an exposed thermal slug on the top of the device to provide a direct thermal path from the IC to the heatsink. For the Quad single ended application the Dissipated Power vs Output Power is shown in [Figure 10](#).



Considering that for the STA518 the Thermal resistance Junction to slug is  $1.5^{\circ}\text{C}/\text{W}$  and the estimated Thermal resistance due to the grease placed between slug and heat sink is  $2.3^{\circ}\text{C}/\text{W}$  ( the use of thermal pads for this package is not recommended), the suitable Heat Sink  $R_{th}$  to be used can be drawn from the following graph [Figure 11](#), where is shown the Derating Power vs.  $T_{amb}$  for different heatsinkers.

### 3.5 Electrical characteristics

**Table 6. Electrical Characteristics**

Refer to circuit in [Figure 3](#) ( $V_L = 3.3\text{V}$ ;  $V_{CC} = 30\text{V}$ ;  $R_L = 8\Omega$ ;  $f_{sw} = 384\text{KHz}$ ;  $T_{amb} = 25^{\circ}\text{C}$  unless otherwise specified)

Symbol	Parameter	Test conditions	Min.	Typ.	Max.	Unit
$R_{dsON}$	Power Pchannel/Nchannel MOSFET RdsON	$I_d = 1\text{A}$		200	270	$\text{m}\Omega$
$I_{dss}$	Power Pchannel/Nchannel leakage Idss	$V_{CC} = 35\text{V}$			50	$\mu\text{A}$
$g_N$	Power Pchannel RdsON Matching	$I_d = 1\text{A}$	95			%
$g_P$	Power Nchannel RdsON Matching	$I_d = 1\text{A}$	95			%
$Dt_s$	Low current Dead Time (static)	see test circuit <a href="#">Figure 3</a>		10	20	ns
$Dt_d$	High current Dead Time (dynamic)	$L = 22\mu\text{H}$ ; $C = 470\text{nF}$ ; $R_L = 8\Omega$ $I_d = 3\text{A}$ ; see <a href="#">Figure 5</a>			50	ns
$t_{dON}$	Turn-on delay time	Resistive load; $V_{CC} = 30\text{V}$			100	ns
$t_{dOFF}$	Turn-off delay time	Resistive load; $V_{CC} = 30\text{V}$			100	ns
$t_r$	Rise time	Resistive load; as <a href="#">Figure 3</a>			25	ns
$t_f$	Fall time				25	ns
$V_{CC}$	Supply voltage operating voltage		10		36	V
$V_{IN-H}$	High level input voltage				$V_L/2 + 300\text{mV}$	V
$V_{IN-L}$	Low level input voltage		$V_L/2 - 300\text{mV}$			V
$I_{IN-H}$	Hi level Input current	Pin voltage = $V_L$		1		$\mu\text{A}$
$I_{IN-L}$	Low level input current	Pin voltage = $0.3\text{V}$		1		$\mu\text{A}$
$I_{PWRDN-H}$	Hi level PWRDN pin input current	$V_L = 3.3\text{V}$		35		$\mu\text{A}$
$V_{LOW}$	Low logical state voltage $V_{Low}$ (pin PWRDN, TRISTATE) <sup>(1)</sup>	$V_L = 3.3\text{V}$	0.8			V
$V_{HIGH}$	High logical state voltage $V_{High}$ (pin PWRDN, TRISTATE) <sup>(1)</sup>	$V_L = 3.3\text{V}$			1.7	V
$I_{VCC-PWRDN}$	Supply current from $V_{cc}$ in Power Down	$PWRDN = 0$			3	mA

**Table 6. Electrical Characteristics (continued)**

Refer to circuit in [Figure 3](#) ( $V_L = 3.3V$ ;  $V_{CC} = 30V$ ;  $R_L = 8\Omega$ ;  $f_{sw} = 384KHz$ ;  $T_{amb} = 25^\circ C$  unless otherwise specified)

Symbol	Parameter	Test conditions	Min.	Typ.	Max.	Unit
$I_{FAULT}$	Output Current pins FAULT -TH-WARN when FAULT CONDITIONS	$V_{pin} = 3.3V$		1		mA
$I_{VCC-hiz}$	Supply current from $V_{CC}$ in Tri-state	$V_{CC} = 30V$ ; Tri-state = 0		22		mA
$I_{VCC}$	Supply current from $V_{CC}$ in operation (both channel switching)	$V_{CC} = 30V$ ; Input pulse width = 50% Duty; Switching Frequency = 384kHz; No LC filters;		50		mA
$I_{VCC-q}$	Isc (short circuit current limit) <sup>(2)</sup>	$V_{CC} = 30V$	3.5	6		A
$V_{UV}$	Undervoltage protection threshold			7		V
$t_{pw\_min}$	Output minimum pulse width	No Load	70		150	ns

1. The [Table 7](#) explains the  $V_{LOW}$ ,  $V_{HIGH}$  variation with  $I_{bias}$ .
2. See relevant Application Note AN1994

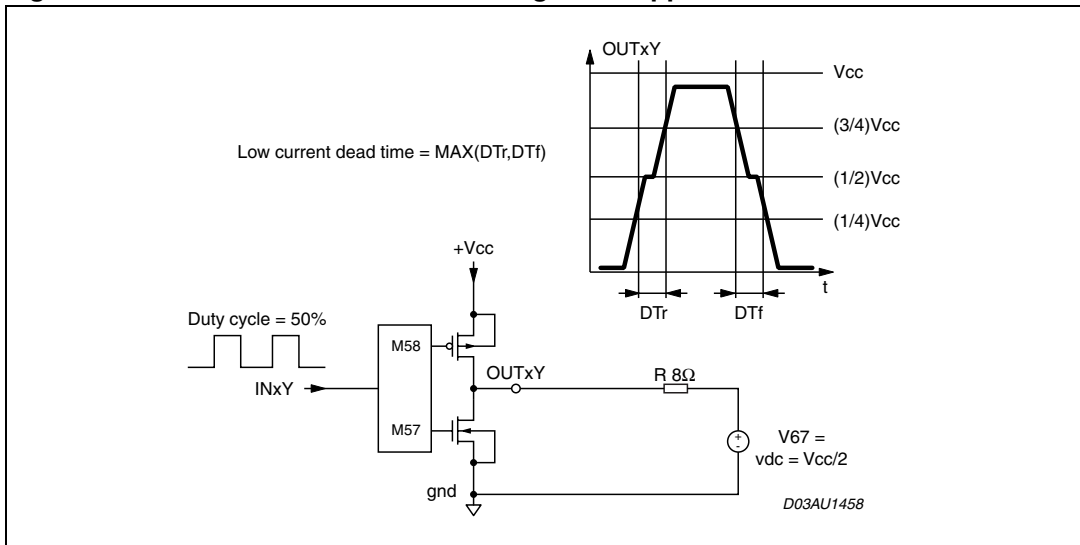
**Table 7.  $V_{LOW}$ ,  $V_{HIGH}$  variation with  $I_{bias}$**

$V_L$	$V_{Low\ min}$	$V_{High\ max}$	Unit
2.7	0.7	1.5	V
3.3	0.8	1.7	V
5	0.85	1.85	V

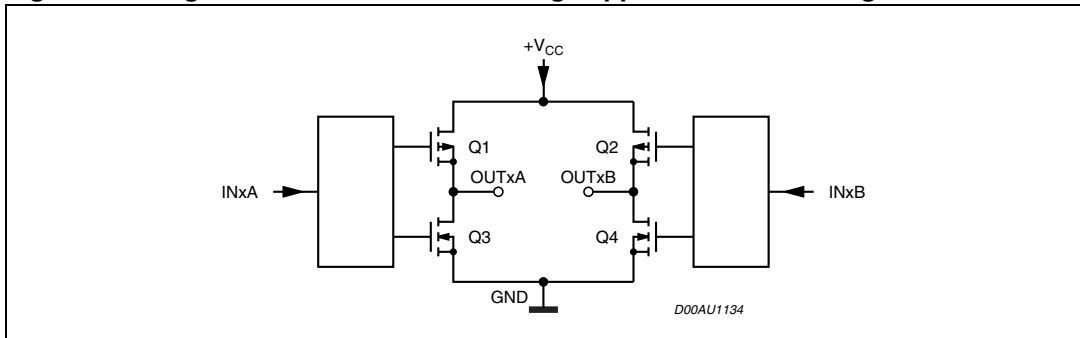
**Table 8. Logic Truth Table (see [Figure 4](#))**

TRI-STATE	INxA	INxB	Q1	Q2	Q3	Q4	OUTPUT MODE
0	x	x	OFF	OFF	OFF	OFF	Hi-Z
1	0	0	OFF	OFF	ON	ON	DUMP
1	0	1	OFF	ON	ON	OFF	NEGATIVE
1	1	0	ON	OFF	OFF	ON	POSITIVE
1	1	1	ON	ON	OFF	OFF	Not used

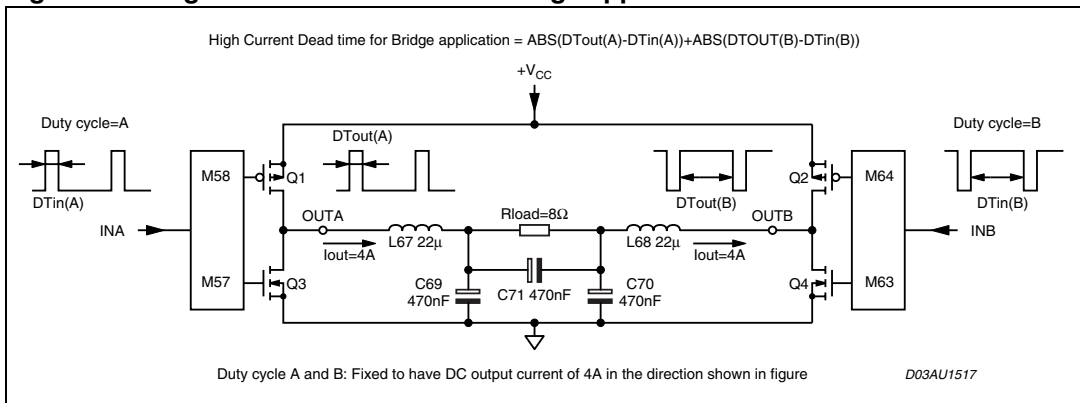
**Figure 3. Low current dead time for Single End application: test circuit.**



**Figure 4. High current dead time for Bridge application: block diagram**



**Figure 5. High current dead time for Bridge application: test circuit**



## 4 Technical information

The STA518 is a dual channel H-Bridge that is able to deliver 50W per channel (@ THD=10%  $R_L = 8\Omega$ ,  $V_{CC} = 29V$ ) of audio output power in high efficiency.

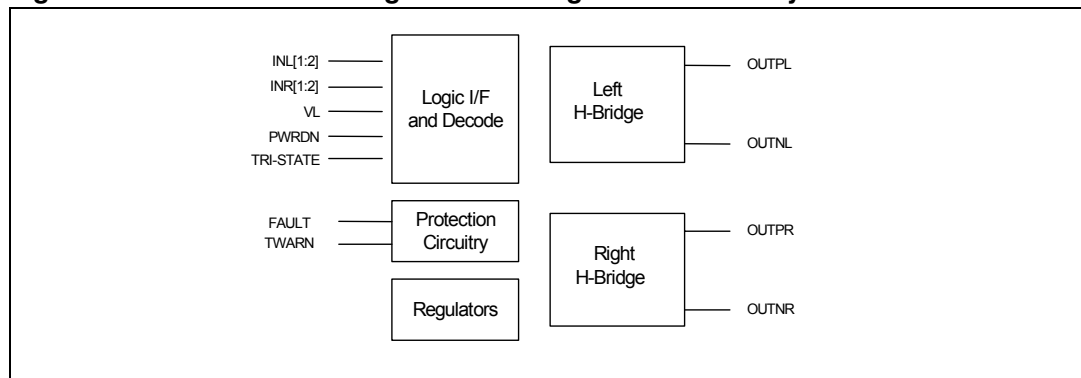
The STA518 converts both DDX and binary-controlled PWM signals into audio power at the load. It includes a logic interface, integrated bridge drivers, high efficiency MOSFET outputs and thermal and short circuit protection circuitry.

In DDX mode, two logic level signals per channel are used to control high-speed MOSFET switches to connect the speaker load to the input supply or to ground in a Bridge configuration, according to the damped ternary Modulation operation.

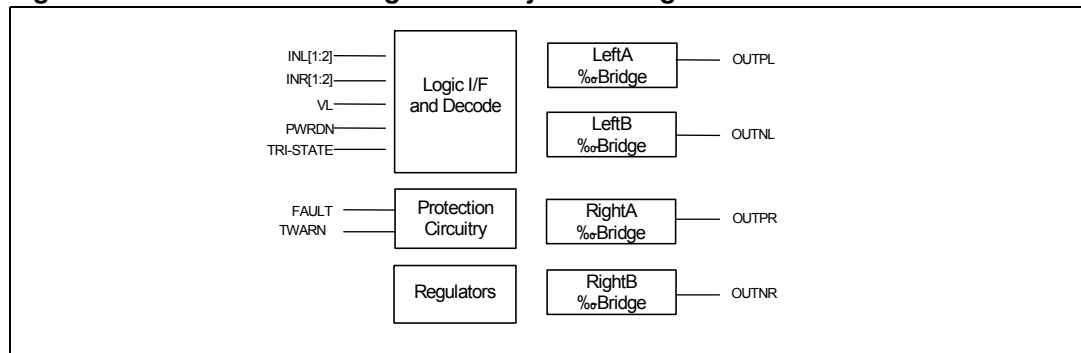
In Binary Mode operation, both Full Bridge and Half Bridge Modes are supported. The STA518 includes over-current and thermal protection as well as an under-voltage

Lockout with automatic recovery. A thermal warning status is also provided.

**Figure 6. STA518 Block Diagram Full-Bridge DDX® or Binary Modes**



**Figure 7. STA518 Block Diagram Binary Half-Bridge Mode**



### 4.1 Logic interface and decode:

The STA518 power outputs are controlled using one or two logic level timing signals. In order to provide a proper logic interface, the Vbias input must operate at the same voltage as the DDX control logic supply.

Protection circuitry:

The STA518 includes protection circuitry for over-current and thermal overload conditions. A thermal warning pin (pin.28) is activated low (open drain MOSFET) when the IC temperature exceeds 130°C, in advance of the thermal shutdown protection. When a fault condition is detected, an internal fault signal acts to immediately disable the output power MOSFETs, placing both H-Bridges in high impedance state. At the same time an open-drain MOSFET connected to the fault pin (pin.27) is switched on.

There are two possible modes subsequent to activating a fault:

1. **SHUTDOWN mode:** with FAULT (pull-up resistor) and TRI-STATE pins independent, an activated fault will disable the device, signaling low at the FAULT output. The device may subsequently be reset to normal operation by toggling the TRI-STATE pin from High to Low to High using an external logic signal.
2. **AUTOMATIC recovery mode:** This is shown in the Audio Application Circuit of Quad single Ended). The FAULT and TRI-STATE pins are shorted together and connected to a time constant circuit comprising R59 and C58. An activated FAULT will force a reset on the TRI-STATE pin causing normal operation to resume following a delay determined by the time constant of the circuit. If the fault condition is still present, the circuit operation will continue repeating until the fault condition is removed. An increase in the time constant of the circuit will produce a longer recovery interval. Care must be taken in the overall system design as not to exceed the protection thresholds under normal operation.

## 4.2 Power outputs:

The STA518 power and output pins are duplicated to provide a low impedance path for the device's bridged outputs. All duplicate power, ground and output pins must be connected for proper operation.

The PWRDN or TRI-STATE pins should be used to set all MOSFETS to the Hi-Z state during power-up until the logic power supply,  $V_L$ , is settled.

## 4.3 Parallel output / high current operation:

When using DDX Mode output, the STA518 outputs can be connected in parallel in order to increase the output current capability to a load. In this configuration the STA518 can provide 70W into 8 ohm.

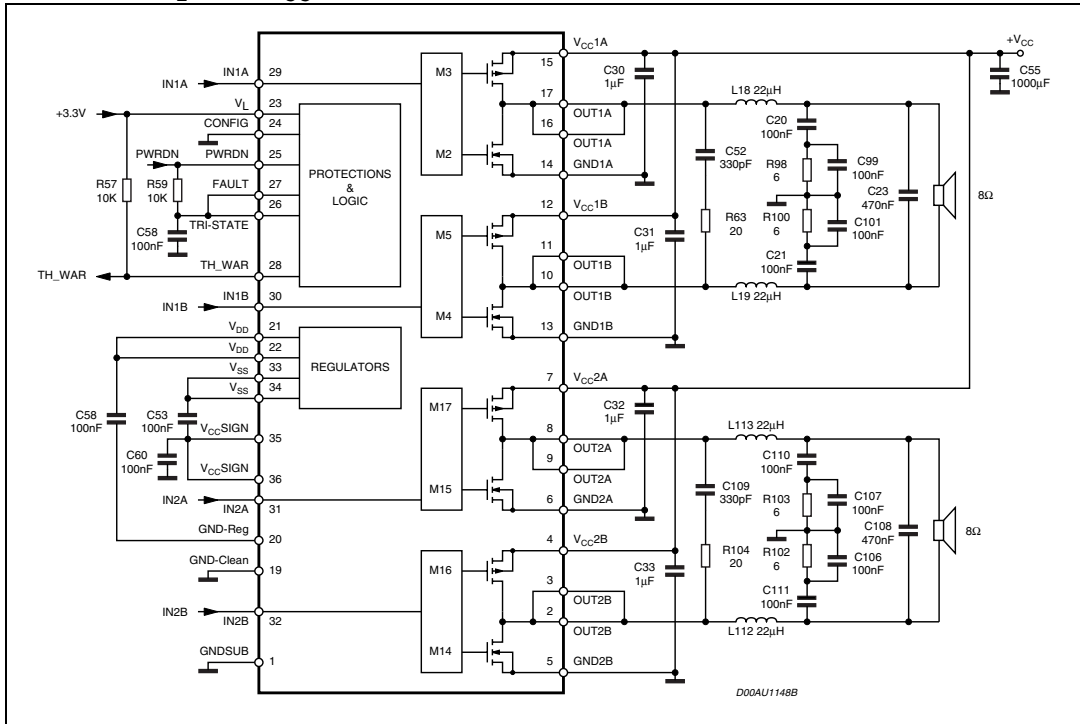
This mode of operation is enabled with the CONFIG pin (pin.24) connected to VREG1 and the inputs combined INLA=INLB, INRA=INRB and the outputs combined OUTLA=OTLB, OUTRA=OUTRB.

## 4.4 Additional informations:

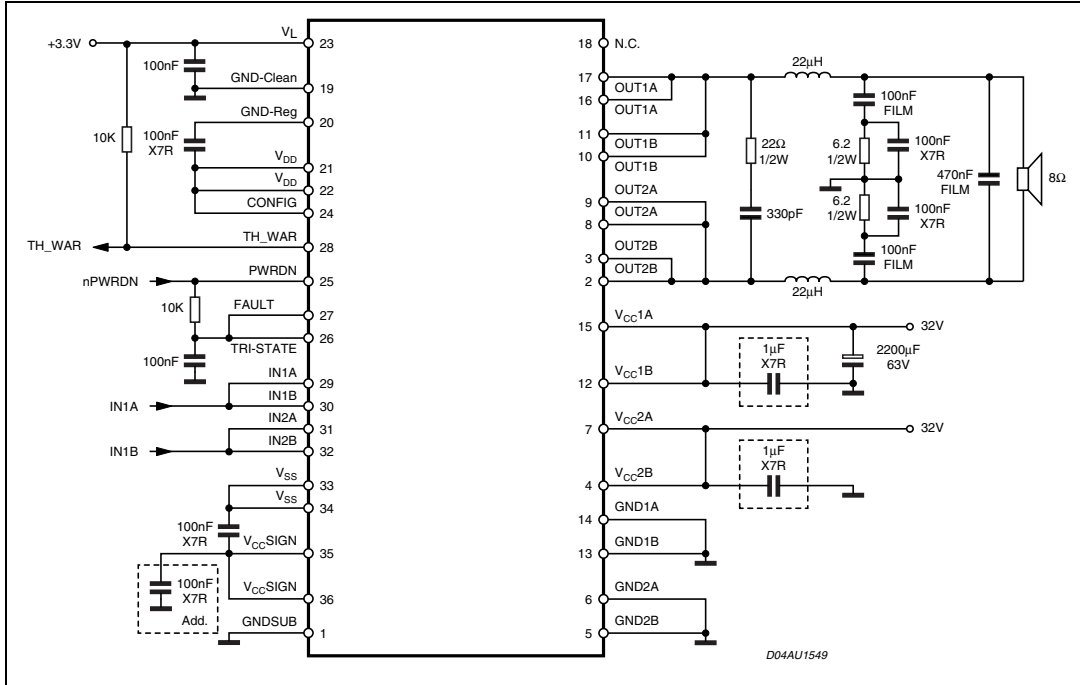
Output Filter: A passive 2nd-order passive filter is used on the STA518 power outputs to reconstruct an analog Audio Signal. System performance can be significantly affected by the output filter design and choice of passive components. A filter design for 6ohm/8ohm loads is shown in the Typical Application circuit of [Figure 9](#).

Quad Single ended circuit ([Figure 1](#)) shows a filter for ½ bridge mode, 4 ohm loads.

**Figure 8. Typical Stereo Full Bridge Configuration to Obtain 50+50W @ THD = 10%,  $R_L = 8\Omega$ ,  $V_{CC} = 29V$**



**Figure 9. Typical Single BTL Configuration to Obtain 70W @ THD 10%,  $R_L = 8\Omega$ ,  $V_{CC} = 34V$  (note 1)**

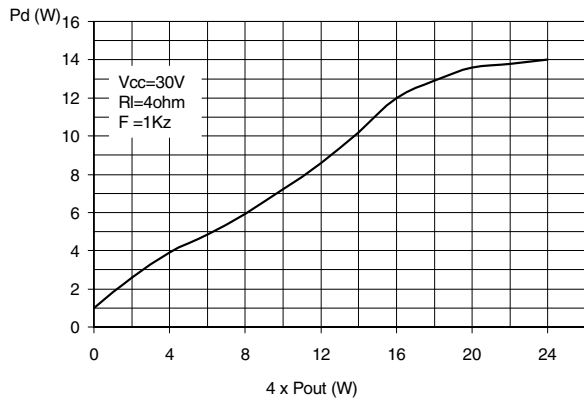


Note: 1 "A PWM modulator as driver is needed . In particular, this result is performed using the STA308+STA518+STA50X demo board". Peak Power for  $t \leq 1\text{sec}$

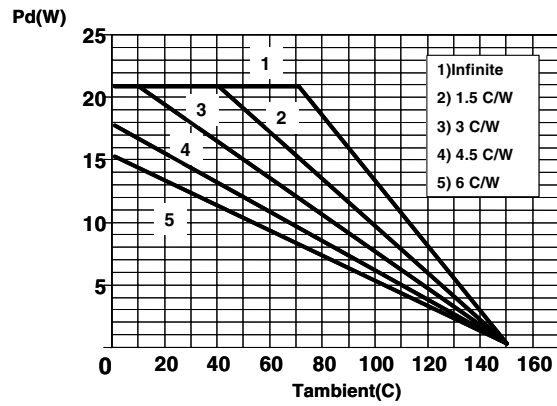
# 5 Characterization curves

The following characterization are obtained using the quad single ended configuration (*Figure 1*) with STA308A controller

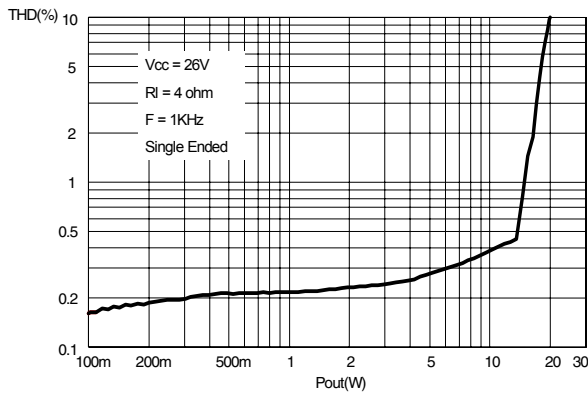
**Figure 10. Power Dissipation vs Output Power**



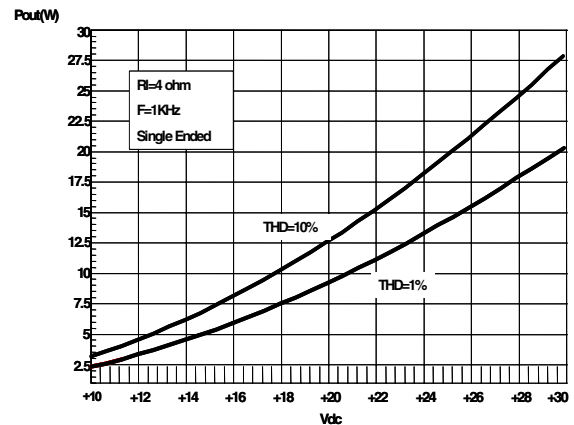
**Figure 11. Power Derating Curve**



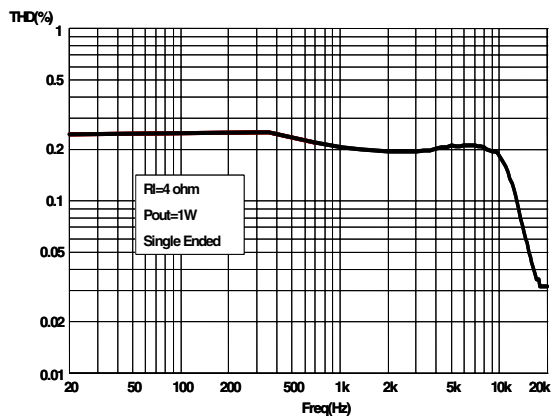
**Figure 12. THD+N vs Output Power**



**Figure 13. Output Power vs Supply Voltage**



**Figure 14. THD vs Frequency**



The following characterizations are obtained using the stereo full bridge configuration (Figure 8) with STA308A controller.

Figure 15. Output Power vs Supply Voltage

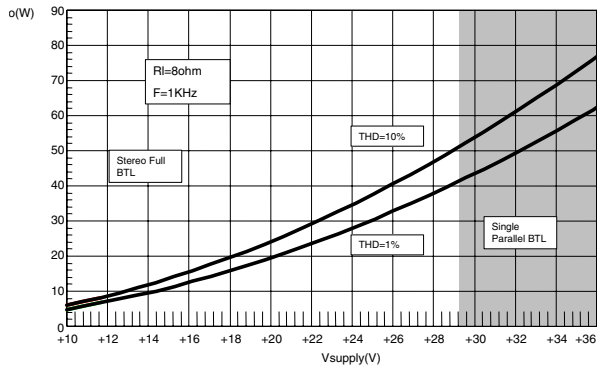


Figure 16. THD+N vs Output Power

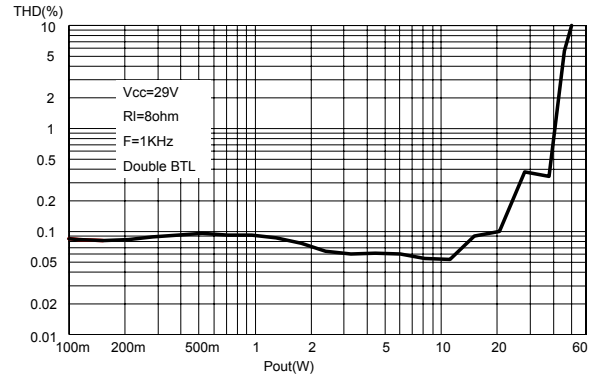
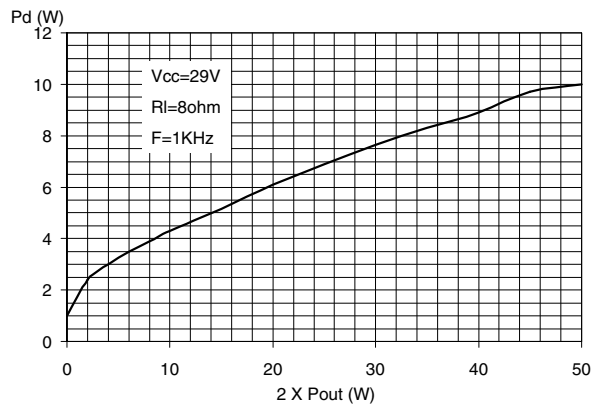
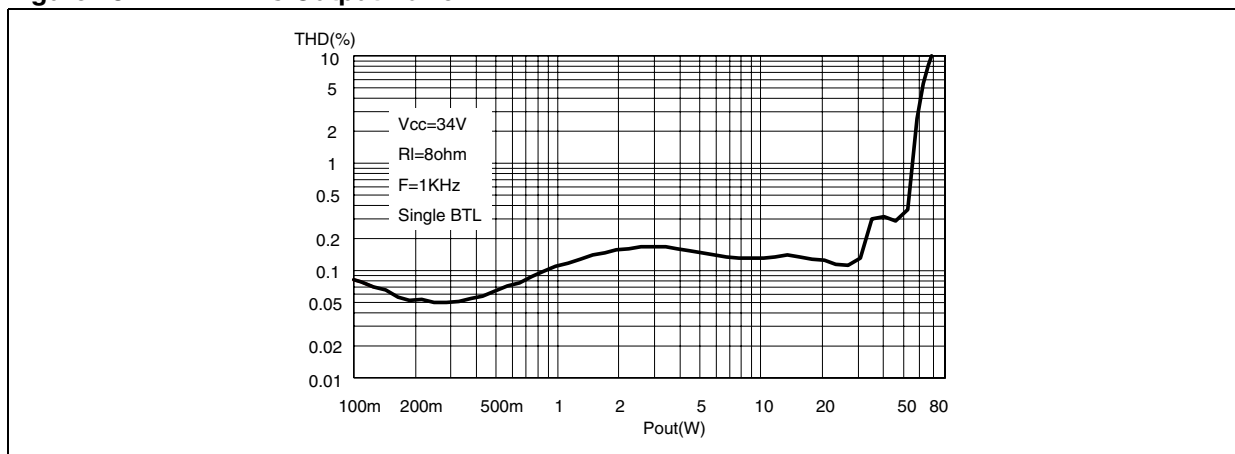


Figure 17. Power Dissipation vs Output Power



The following characterizations are obtained using the single BTL configuration (Figure 9) with STA308A controller.

Figure 18. THD+N vs Output Power

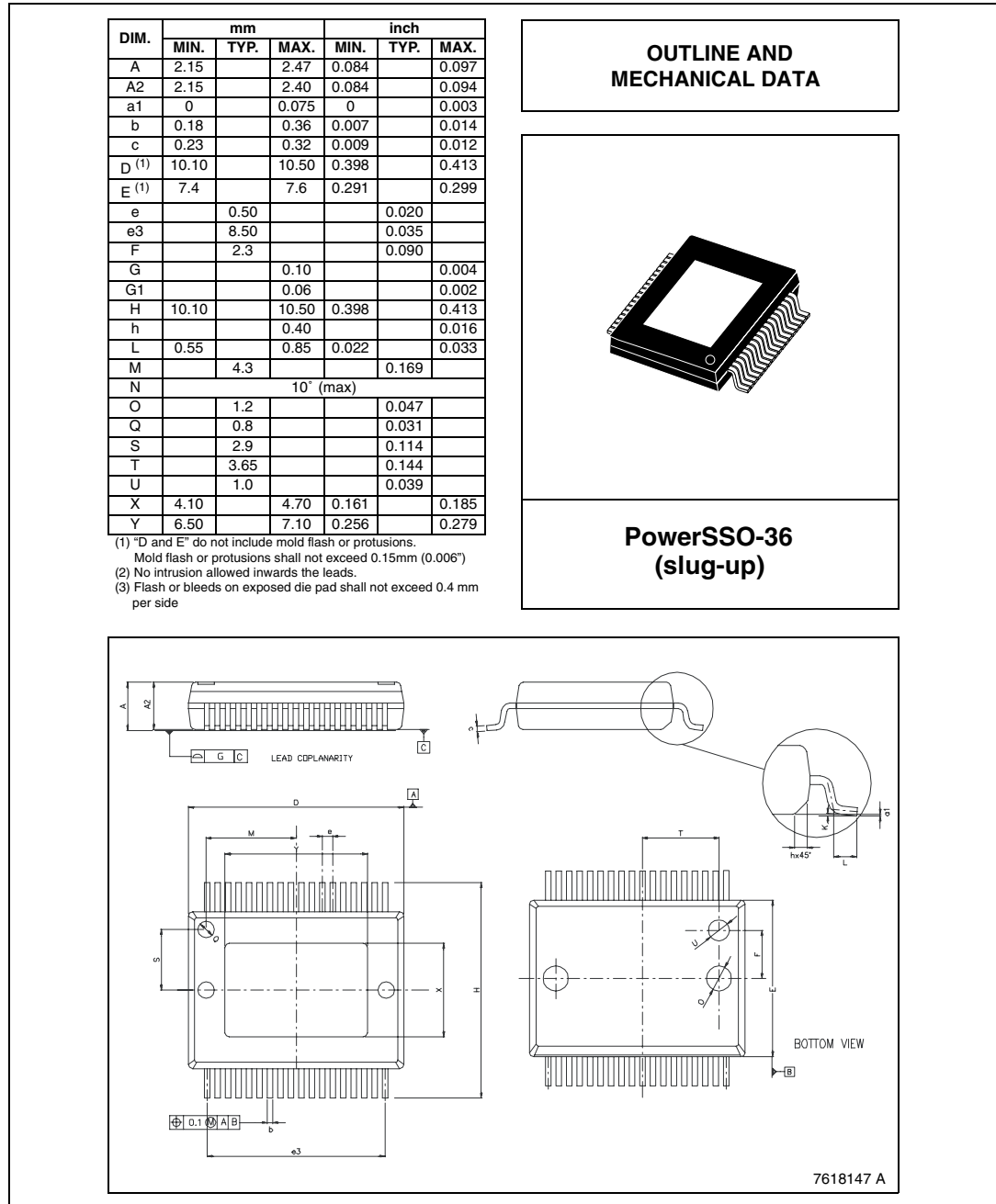




## 6 Package information

In order to meet environmental requirements, ST offers these devices in ECOPACK<sup>®</sup> packages. These packages have a Lead-free second level interconnect. The category of second Level Interconnect is marked on the package and on the inner box label, in compliance with JEDEC Standard JESD97. The maximum ratings related to soldering conditions are also marked on the inner box label. ECOPACK is an ST trademark. ECOPACK specifications are available at: [www.st.com](http://www.st.com).

**Figure 19. PSSO36 (Slug Up) Mechanical Data & Package Dimensions**



## 7 Revision history

**Table 9. Document revision history**

Date	Revision	Changes
19-Aug-2004	1	Initial release.
11-Nov-2004	2	Changed symbol in "Electrical Characteristics".
18-May-2006	3	Changed operating temperature range value to -40 to 90°C (see <a href="#">Table 3</a> ).

**Please Read Carefully:**

Information in this document is provided solely in connection with ST products. STMicroelectronics NV and its subsidiaries ("ST") reserve the right to make changes, corrections, modifications or improvements, to this document, and the products and services described herein at any time, without notice.

All ST products are sold pursuant to ST's terms and conditions of sale.

Purchasers are solely responsible for the choice, selection and use of the ST products and services described herein, and ST assumes no liability whatsoever relating to the choice, selection or use of the ST products and services described herein.

No license, express or implied, by estoppel or otherwise, to any intellectual property rights is granted under this document. If any part of this document refers to any third party products or services it shall not be deemed a license grant by ST for the use of such third party products or services, or any intellectual property contained therein or considered as a warranty covering the use in any manner whatsoever of such third party products or services or any intellectual property contained therein.

**UNLESS OTHERWISE SET FORTH IN ST'S TERMS AND CONDITIONS OF SALE ST DISCLAIMS ANY EXPRESS OR IMPLIED WARRANTY WITH RESPECT TO THE USE AND/OR SALE OF ST PRODUCTS INCLUDING WITHOUT LIMITATION IMPLIED WARRANTIES OF MERCHANTABILITY, FITNESS FOR A PARTICULAR PURPOSE (AND THEIR EQUIVALENTS UNDER THE LAWS OF ANY JURISDICTION), OR INFRINGEMENT OF ANY PATENT, COPYRIGHT OR OTHER INTELLECTUAL PROPERTY RIGHT.**

**UNLESS EXPRESSLY APPROVED IN WRITING BY AN AUTHORIZED REPRESENTATIVE OF ST, ST PRODUCTS ARE NOT DESIGNED, AUTHORIZED OR WARRANTED FOR USE IN MILITARY, AIR CRAFT, SPACE, LIFE SAVING, OR LIFE SUSTAINING APPLICATIONS, NOR IN PRODUCTS OR SYSTEMS, WHERE FAILURE OR MALFUNCTION MAY RESULT IN PERSONAL INJURY, DEATH, OR SEVERE PROPERTY OR ENVIRONMENTAL DAMAGE.**

Resale of ST products with provisions different from the statements and/or technical features set forth in this document shall immediately void any warranty granted by ST for the ST product or service described herein and shall not create or extend in any manner whatsoever, any liability of ST.

ST and the ST logo are trademarks or registered trademarks of ST in various countries.

Information in this document supersedes and replaces all information previously supplied.

The ST logo is a registered trademark of STMicroelectronics. All other names are the property of their respective owners.

© 2006 STMicroelectronics - All rights reserved

STMicroelectronics group of companies

Australia - Belgium - Brazil - Canada - China - Czech Republic - Finland - France - Germany - Hong Kong - India - Israel - Italy - Japan - Malaysia - Malta - Morocco - Singapore - Spain - Sweden - Switzerland - United Kingdom - United States of America

[www.st.com](http://www.st.com)

