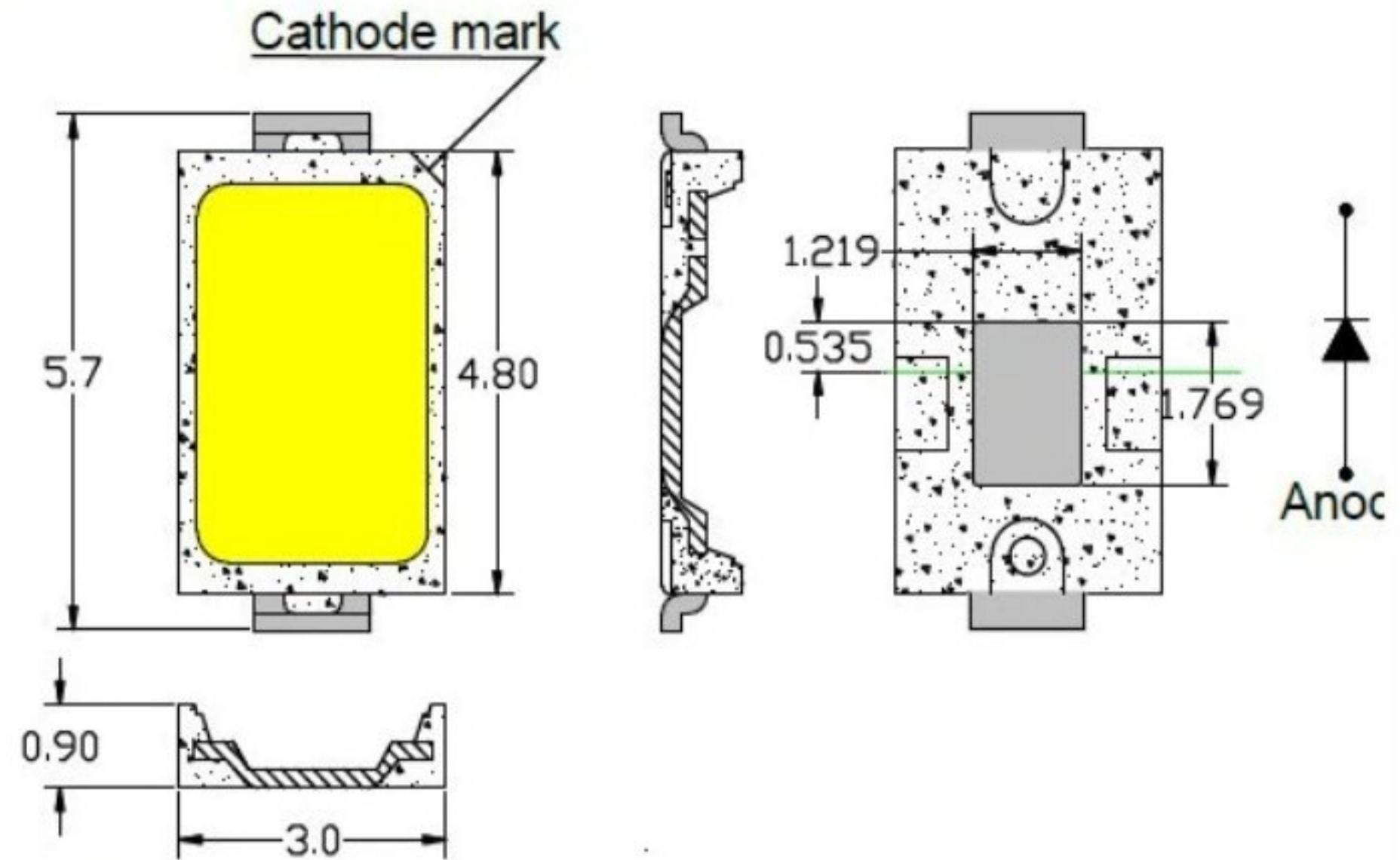


## 4 Package Dimensions



### Notes:

1. All dimension units are millimeters;
2. All dimension tolerance is  $\pm 0.2\text{mm}(0.008\text{ ''})$  unless otherwise noted;

### RATING MAXIMUM ABSOLUTE ◆ $^{\circ}\text{C}$ ) $T_a=25$ (

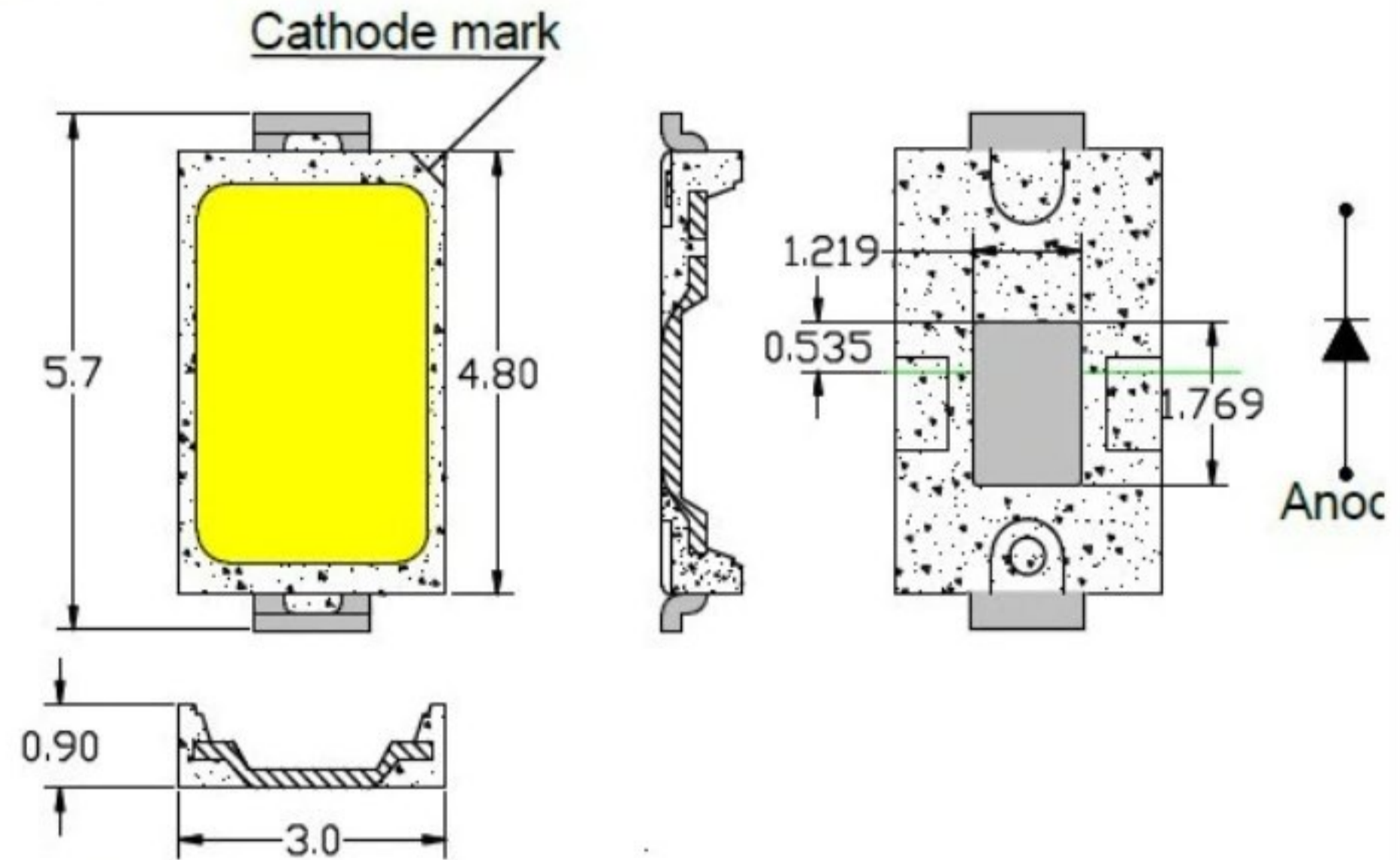
Item	Symbol	Value	Unit
Current Forward Peak	IFp	500	mA
Voltage Reverse	VR	5.0	V
Current Forward Continuous	IF	150	mA
Current Operating Recommend	IF	120	mA
Temperature Operating	Topr	85 to 40-	$^{\circ}\text{C}$
Temperature Storage	Tstg	105 to 40-	$^{\circ}\text{C}$
Temperature Soldering Lead	Tsol	Seconds 3 For $^{\circ}\text{C}260$	

### ) $^{\circ}\text{C}$ ( $T_a=25$ CHARACTERISTICS ◆

Parameter	Condition	Symbol	Min	Typ	Max	Units
Dissipation Power	IF=150mA	Pd	-	0.5	-	w
Color Correlated Temperature	IF=150mA	CCT	5000	6300	8000	K
Voltage Forward	IF=150mA	VF	2.8	3.3	3.8	v
Current Reverse	VR=5V	IR	/	/	10	A $\mu$
Chromaticity Coordinates	IF=150mA	X	/	0.31	/	
	IF=150mA	Y	/	0.33	/	
Flux Luminous	IF=150mA	$\phi_v$	50	55	--	LM
Index Rendering Color	IF=150mA	CRI	/	70	/	Ra
Angle Viewing Full	IF=150mA	$2\theta 1/2$	/	120	/	deg



## 4 Package Dimensions



### Notes:

1. All dimension units are millimeters;
2. All dimension tolerance is  $\pm 0.2\text{mm}(0.008\text{ ''})$  unless otherwise noted;

### RATING MAXIMUM ABSOLUTE ◆ $^{\circ}\text{C}$ ) $T_a=25$ (

Item	Symbol	Value	Unit
Current Forward Peak	IFp	500	mA
Voltage Reverse	VR	5.0	V
Current Forward Continuous	IF	150	mA
Current Operating Recommend	IF	120	mA
Temperature Operating	Topr	85 to 40-	$^{\circ}\text{C}$
Temperature Storage	Tstg	105 to 40-	$^{\circ}\text{C}$
Temperature Soldering Lead	Tsol	Seconds 3 For $^{\circ}\text{C}260$	

### ) $^{\circ}\text{C}$ ( $T_a=25$ CHARACTERISTICS ◆

Parameter	Condition	Symbol	Min	Typ	Max	Units
Dissipation Power	IF=150mA	Pd	-	0.5	-	w
Color Correlated Temperature	IF=150mA	CCT	2800	3200	3500	K
Voltage Forward	IF=150mA	VF	2.8	3.3	3.8	v
Current Reverse	VR=5V	IR	/	/	10	A $\mu$
Chromaticity Coordinates	IF=150mA	X	/	0.31	/	
	IF=150mA	Y	/	0.33	/	
Flux Luminous	IF=150mA	$\phi_v$	45	50	--	LM
Index Rendering Color	IF=150mA	CRI	/	70	/	Ra
Angle Viewing Full	IF=150mA	$2\theta 1/2$	/	120	/	deg