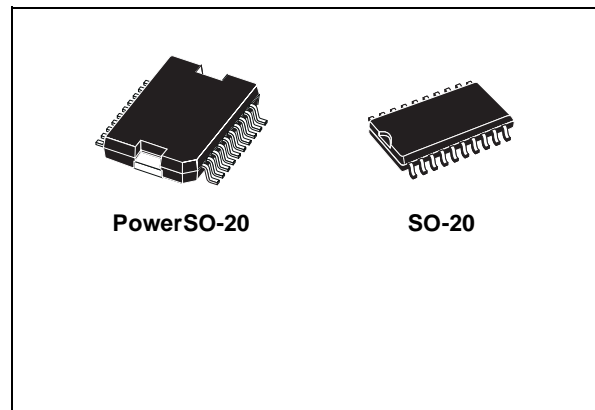




# LNBP21

## LNBP SUPPLY AND CONTROL IC WITH STEP-UP CONVERTER AND I<sup>2</sup>C INTERFACE

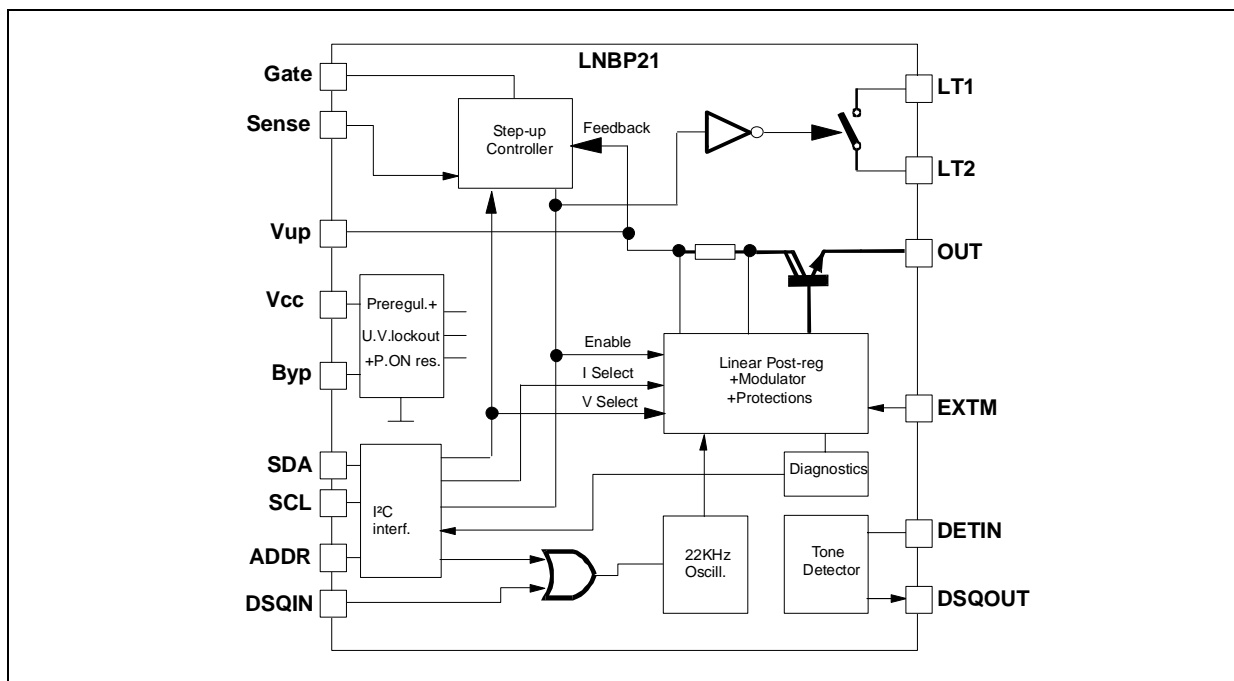
- COMPLETE INTERFACE BETWEEN LNB AND I<sup>2</sup>CTM BUS
- BUILT-IN DC/DC CONTROLLER FOR SINGLE 12V SUPPLY OPERATION
- ACCURATE BUILT-IN 22KHz TONE OSCILLATOR
- SUITS WIDELY ACCEPTED STANDARDS
- FAST OSCILLATOR START-UP FACILITATES DiSEqCTM ENCODING
- BUILT-IN 22KHz TONE DETECTOR SUPPORTS BI-DIRECTIONAL DiSEqCTM
- LOOP-THROUGH FUNCTION FOR SLAVE OPERATION
- LNB SHORT CIRCUIT PROTECTION AND DIAGNOSTIC
- CABLE LENGTH DIGITAL COMPENSATION
- INTERNAL OVER TEMPERATURE PROTECTION
- ESD RATING 4KV ON POWER INPUT-OUTPUT PINS



### DESCRIPTION

Intended for analog and digital satellite STB receivers/SatTV, sets/PC cards, the LNBP21 is a monolithic voltage regulator and interface IC, assembled in SO-20 and PowerSO-20, specifically designed to provide the power and the 13/18V, 22KHz tone signalling to the LNB

### SCHEMATIC DIAGRAM



downconverter in the antenna or to the multiswitch box. In this application field, it offers a complete solution with extremely low component count, low power dissipation together with simple design and I<sup>2</sup>C™ standard interfacing.

This IC has a built in DC/DC step-up controller that, from a single supply source ranging from 8 to 15V, generates the voltages that let the linear post-regulator to work at a minimum dissipated power. An UnderVoltage Lockout circuit will disable the whole circuit when the supplied V<sub>CC</sub> drops below a fixed threshold (6.7V typically). The internal 22KHz tone generator is factory trimmed in accordance to the standards, and can be controlled either by the I<sup>2</sup>C™ interface or by a dedicated pin (DSQIN) that allows immediate DiSEqC™ data encoding (\*). All the functions of this IC are controlled via I<sup>2</sup>C™ bus by writing 6 bits on the System Register (SR, 8 bits). The same register can be read back, and two bits will report the diagnostic status. When the IC is put in Stand-by (EN bit LOW), the power blocks are disabled and the loop-through switch between LT1 and LT2 pins is closed, thus leaving all LNB powering and control functions to the Master Receiver (\*\*). When the regulator blocks are active (EN bit HIGH), the output can be logic controlled to be 13 or 18 V (typ.) by mean of the VSEL bit (Voltage SElect) for remote controlling of non-DiSEqC LNBs. Additionally, it is possible to increment by 1V (typ.) the selected voltage value to compensate for the excess voltage drop along the coaxial cable (LLC bit HIGH). In order to minimise the power dissipation, the output voltage of the internal step-up converter is adjusted to allow the linear regulator to work at minimum dropout. Another bit of the SR is addressed to the remote control of non-DiSEqC LNBs: the TEN (Tone ENable) bit. When it is set to HIGH, a continuous 22KHz tone is generated regardless of the DSQIN pin logic status. The TEN bit must be set LOW when the DSQIN pin is used for DiSEqC™ encoding. The fully bi-directional DiSEqC™ interfacing is completed by the built-in 22KHz tone detector. Its input pin (DETIN) must be AC coupled to the DiSEqC™ bus, and the extracted PWK data are available on the DSQOUT pin (\*).

In order to improve design flexibility and to allow implementation of newcoming LNB remote control standards, an analogic modulation input pin is available (EXTM). An appropriate DC blocking

(\*): External components are needed to comply to bi-directional DiSEqC™ bus hardware requirements. Full compliance of the whole application to DiSEqC™ specifications is not implied by the use of this IC.

(\*\*): The current limitation circuit has no effect on the loop-through switch. When EN bit is LOW, the current flowing from LT1 to LT2 must be externally limited.

capacitor must be used to couple the modulating signal source to the EXTM pin. When external modulation is not used, the relevant pin can be left open.

The current limitation block has two thresholds that can be selected by the I<sub>SEL</sub> bit of the SR; the lower threshold is between 400 and 550mA (I<sub>SEL</sub>=HIGH), while the higher threshold is between 500 and 650mA (I<sub>SEL</sub>=LOW).

The current protection block is SOA type. This limits the short circuit current (I<sub>sc</sub>) typically at 200mA with I<sub>SEL</sub>=HIGH and at 300mA with I<sub>SEL</sub>=LOW when the output port is connected to ground.

It is possible to set the Short Circuit Current protection either statically (simple current clamp) or dynamically by the PCL bit of the SR; when the PCL (Pulsed Current Limiting) bit is set to LOW, the overcurrent protection circuit works dynamically: as soon as an overload is detected, the output is shut-down for a time t<sub>off</sub>, typically 900ms. Simultaneously the OLF bit of the System Register is set to HIGH. After this time has elapsed, the output is resumed for a time t<sub>on</sub>=1/10t<sub>off</sub> (typ.). At the end of t<sub>on</sub>, if the overload is still detected, the protection circuit will cycle again through Toff and Ton. At the end of a full Ton in which no overload is detected, normal operation is resumed and the OLF bit is reset to LOW. Typical Ton+Toff time is 990ms and it is determined by an internal timer. This dynamic operation can greatly reduce the power dissipation in short circuit condition, still ensuring excellent power-on start up in most conditions (\*\*).

However, there could be some cases in which an highly capacitive load on the output may cause a difficult start-up when the dynamic protection is chosen. This can be solved by initiating any power start-up in static mode (PCL=HIGH) and then switching to the dynamic mode (PCL=LOW) after a chosen amount of time. When in static mode, the OLF bit goes HIGH when the current clamp limit is reached and returns LOW when the overload condition is cleared.

This IC is also protected against overheating: when the junction temperature exceeds 150°C (typ.), the step-up converter and the linear regulator are shut off, the loop-through switch is opened, and the OTF bit of the SR is set to HIGH. Normal operation is resumed and the OTF bit is reset to LOW when the junction is cooled down to 140°C (typ.).

## ORDERING CODES

TYPE	SO-20 (Tube)	SO-20 (Tape & Reel)	PowerSO-20 (Tube)	PowerSO-20 (Tape & Reel)
LNBP21	LNBP21D2	LNBP21D2-TR	LNBP21PD	LNBP21PD-TR

## ABSOLUTE MAXIMUM RATINGS

Symbol	Parameter	Value	Unit
$V_{CC}$	DC Input Voltage	16	V
$V_{UP}$	DC Input Voltage	25	V
$V_{LT1}, V_{LT2}$	DC Input Voltage	20	V
$I_O$	Output Current	Internally Limited	mA
$V_O$	DC Output Pin Voltage	-0.3 to 22	V
$V_I$	Logic Input Voltage (SDA, SCL, DSQIN)	-0.3 to 7	V
$V_{DETIN}$	Detector Input Signal Amplitude	2	$V_{PP}$
$V_{OH}$	Logic High Output Voltage (DSQOUT)	7	V
$I_{LT}$	Bypass Switch ON Current	900	mA
$V_{LT}$	Bypass Switch OFF Voltage	$\pm 20$	V
$I_{GATE}$	Gate Current	$\pm 400$	mA
$V_{SENSE}$	Current Sense Voltage	-0.3 to 1	V
$V_{ADDRESS}$	Address Pin Voltage	-0.3 to 7	V
$T_{stg}$	Storage Temperature Range	-40 to +150	$^{\circ}C$
$T_{op}$	Operating Junction Temperature Range	-40 to +125	$^{\circ}C$

Absolute Maximum Ratings are those values beyond which damage to the device may occur. Functional operation under these condition is not implied.

## THERMAL DATA

Symbol	Parameter	SO-20	PowerSO-20	Unit
$R_{thj-case}$	Thermal Resistance Junction-case	15	2	$^{\circ}C/W$

## PIN CONFIGURATION (top view)

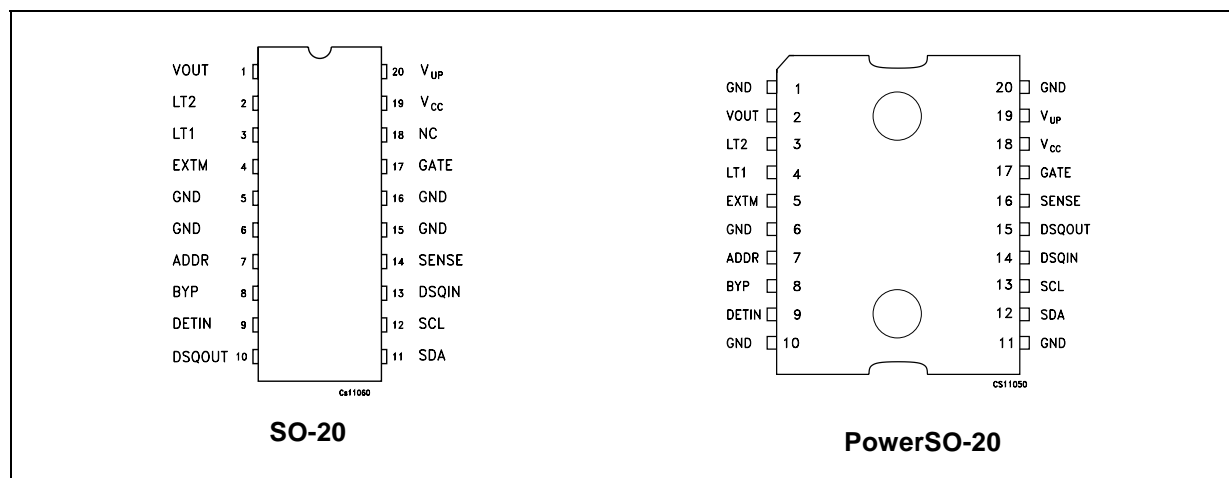
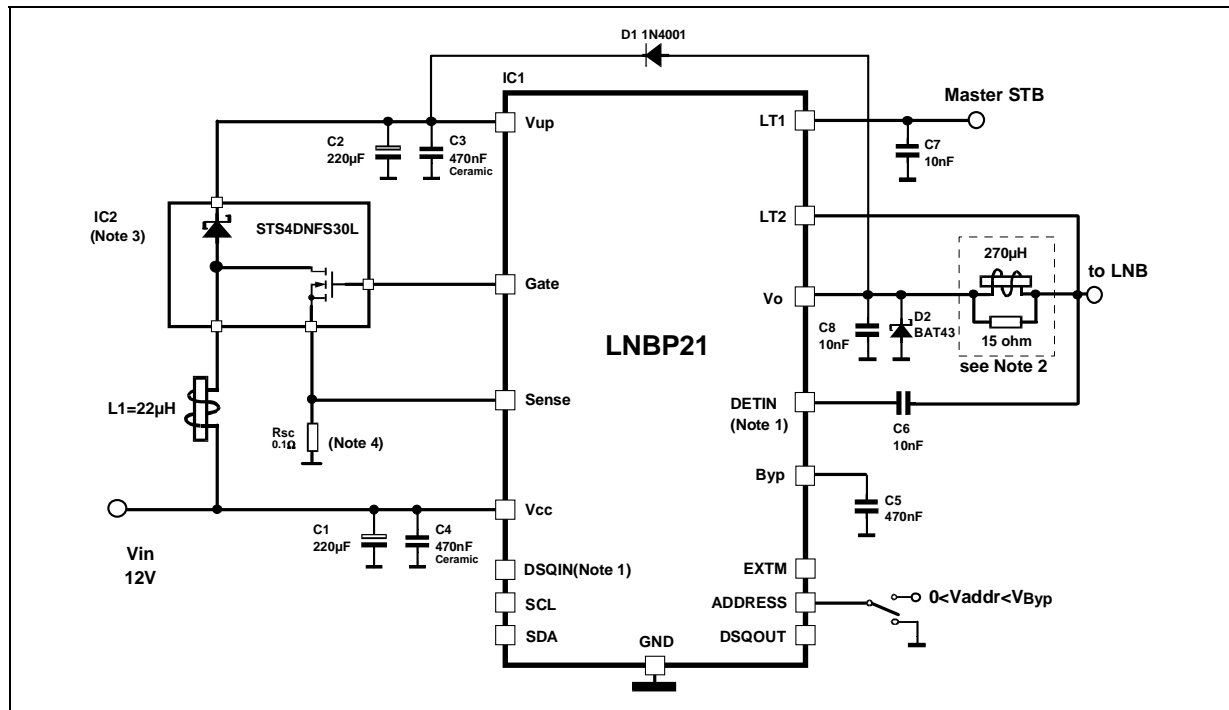


TABLE A: PIN CONFIGURATIONS

SYMBOL	NAME	FUNCTION	PIN NUMBER vs PACKAGE	
			SO-20	PowerSO-20
V <sub>CC</sub>	Supply Input	8V to 15V supply. A 220 $\mu$ F bypass capacitor to GND with a 470nF (ceramic) in parallel is recommended	19	18
GATE	External Switch Gate	External MOS switch Gate connection of the step-up converter	17	17
SENSE	Current Sense Input	Current Sense comparator input. Connected to current sensing resistor	14	16
V <sub>up</sub>	Step-up Voltage	Input of the linear post-regulator. The voltage on this pin is monitored by internal step-up controller to keep a minimum dropout across the linear pass transistor	20	19
OUT	Output Port	Output of the linear post regulator modulator to the LNB. See truth table for voltage selections.	1	2
SDA	Serial Data	Bidirectional data from/to I <sup>2</sup> C bus.	11	12
SCL	Serial Clock	Clock from I <sup>2</sup> C bus.	12	13
DSQIN	DiSEqC Input	When the TEN bit of the System Register is LOW, this pin will accept the DiSEqC code from the main $\mu$ controller. The LNBP21 will use this code to modulate the internally generated 22kHz carrier. Set to GND this pin if not used.	13	14
DETIN	Detector In	22kHz Tone Detector Input. Must be AC coupled to the DiSEqC bus.	9	9
DSQOUT	DiSEqC Output	Open collector output of the tone Detector to the main $\mu$ controller for DiSEqC data decoding. It is LOW when tone is detected.	10	15
EXTM	External Modulator	External Modulation Input. Need DC decoupling to the AC source. If not used, can be left open.	4	5
GND	Ground	Circuit Ground. It is internally connected to the die frame for heat dissipation.	5, 6, 15, 16	1, 10, 11, 20
BYP	Bypass Capacitor	Needed for internal preregulator filtering	8	8
LT1	Loop Through Switch	In standby mode the power switch between LT1 and LT2 is closed. Max allowed current is 900mA. this pin can be left open if loopthrough function is not needed.	3	4
LT2	Loop Through Switch	Same as above	2	3
ADDR	Address Setting	Four I <sup>2</sup> C bus addresses available by setting the Address Pin level voltage	7	7

TYPICAL APPLICATION CIRCUIT



(\*) Set to GND if not used  
 (\*\*) filter to be used according to EUTELSAT recommendation to implement the DiSEqC™ 2.x, not needed if bidirectional DiSEqC™ 2.x is not implemented (see DiSEqC implementation note)  
 (\*\*\*) IC2 is a ST Fettky, STS4DNFS30L, that includes both the schottky diode and the N-Channel Mos-Fet, needed for the DC/DC converter, in a So-8 package. It can be replaced by a schottky diode (STPS2L3A or similar) and a N-Channel Mos-Fet (STN4NF03L or similar)

I<sup>2</sup>C BUS INTERFACE

Data transmission from main µP to the LNBP21 and viceversa takes place through the 2 wires I2C bus interface, consisting of the two lines SDA and SCL (pull-up resistors to positive supply voltage must be externally connected).

DATA VALIDITY

As shown in fig. 1, the data on the SDA line must be stable during the high period of the clock. The HIGH and LOW state of the data line can only change when the clock signal on the SCL line is LOW.

START AND STOP CONDITIONS

As shown in fig.2 a start condition is a HIGH to LOW transition of the SDA line while SCL is HIGH. The stop condition is a LOW to HIGH transition of the SDA line while SCL is HIGH. A STOP conditions must be sent before each START condition.

BYTE FORMAT

Every byte transferred to the SDA line must contain 8 bits. Each byte must be followed by an acknowledge bit. The MSB is transferred first.

ACKNOWLEDGE

The master (µP) puts a resistive HIGH level on the SDA line during the acknowledge clock pulse (see fig. 3). The peripheral (LNBP21) that acknowledges has to pull-down (LOW) the SDA line during the acknowledge clock pulse, so that the SDA line is stable LOW during this clock pulse. The peripheral which has been addressed has to generate an acknowledge after the reception of each byte, other-wise the SDA line remains at the HIGH level during the ninth clock pulse time. In this case the master transmitter can generate the STOP information in order to abort the transfer. The LNBP21 won't generate the acknowledge if the Vcc supply is below the Undervoltage Lockout threshold (6.7V typ.).

TRANSMISSION WITHOUT ACKNOWLEDGE

Avoiding to detect the acknowledge of the LNBP21, the µP can use a simpler transmission: simply it waits one clock without checking the slave acknowledging, and sends the new data.

This approach of course is less protected from misworking and decreases the noise immunity.



Figure 1 : DATA VALIDITY ON THE I<sup>2</sup>C BUS

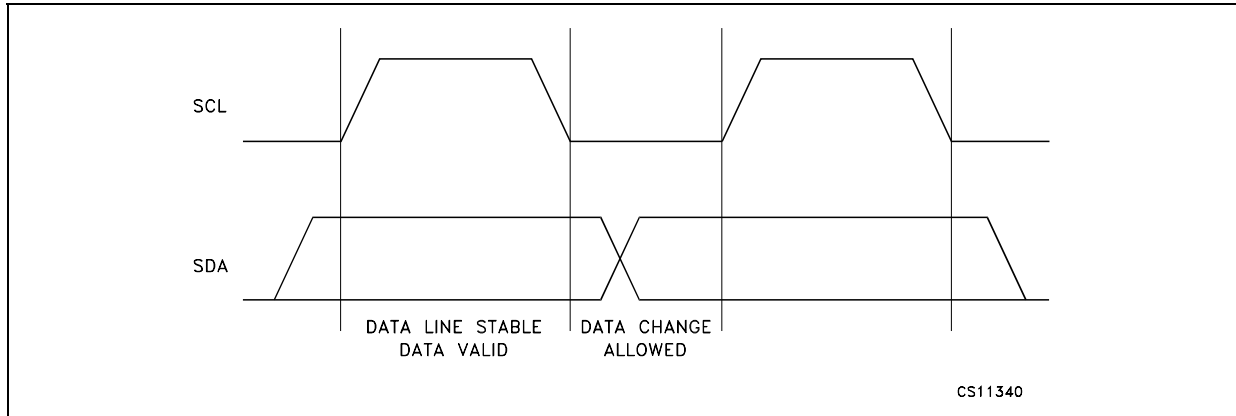


Figure 2 : TIMING DIAGRAM ON I<sup>2</sup>C BUS

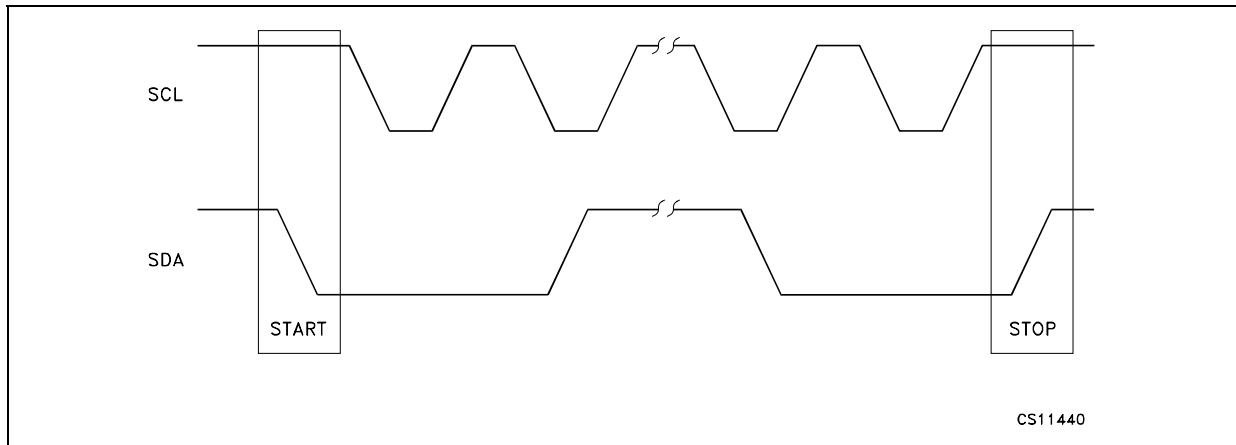
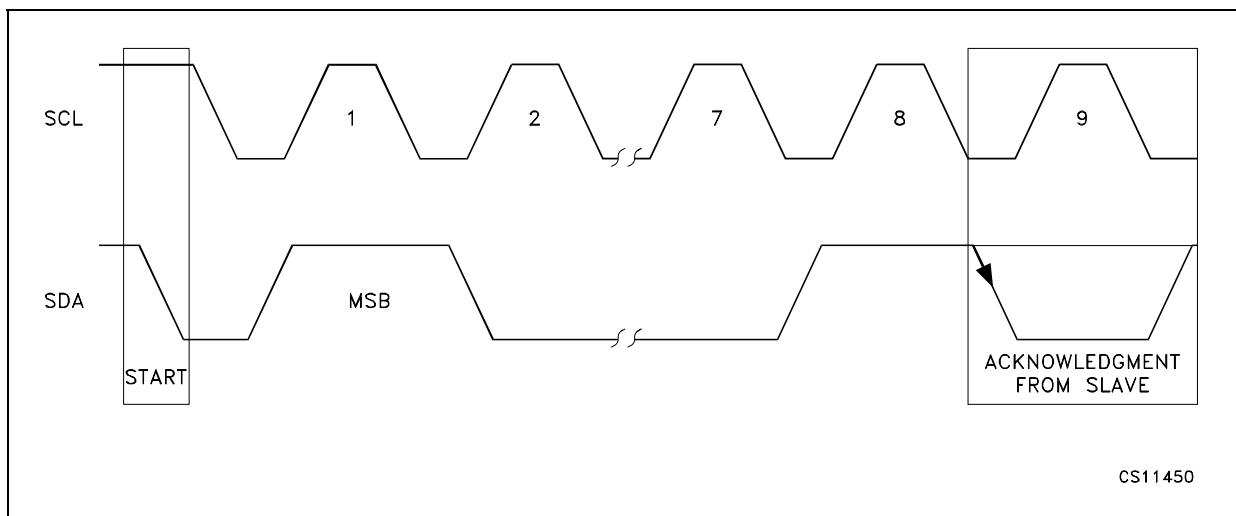


Figure 3 : ACKNOWLEDGE ON I<sup>2</sup>C BUS



## LNBP1 SOFTWARE DESCRIPTION

## INTERFACE PROTOCOL

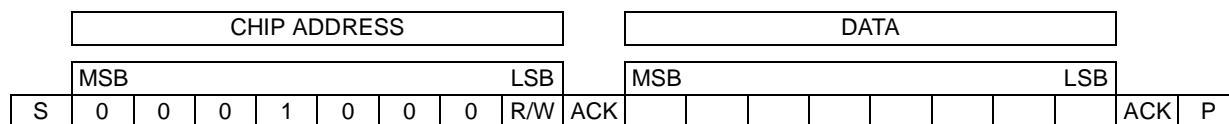
The interface protocol comprises:

- A start condition (S)

- A chip address byte = hex 10 / 11 (the LSB bit determines read(=1)/write(=0) transmission)

- A sequence of data (1 byte + acknowledge)

- A stop condition (P)



ACK= Acknowledge

S= Start

P= Stop

R/W= Read/Write

## SYSTEM REGISTER (SR, 1 BYTE)

MSB							LSB
R, W	R, W	R, W	R, W	R, W	R, W	R	R
PCL	ISEL	TEN	LLC	VSEL	EN	OTF	OLF

R,W= read and write bit

R= Read-only bit

All bits reset to 0 at Power-On

TRANSMITTED DATA (I<sup>2</sup>C BUS WRITE MODE)

When the R/W bit in the chip address is set to 0, the main  $\mu$ P can write on the System Register (SR) of the LNBP21 via I<sup>2</sup>C bus. Only 6 bits out of

the 8 available can be written by the  $\mu$ P, since the re-maining 2 are left to the diagnostic flags, and are read-only.

PCL	ISEL	TEN	LLC	VSEL	EN	OTF	OLF	Function
			0	0	1	X	X	$V_{OUT}=13V$ , $V_{UP}=16V$ Loophrough switch open
			0	1	1	X	X	$V_{OUT}=18V$ , $V_{UP}=21V$ Loophrough switch open
			1	0	1	X	X	$V_{OUT}=14V$ , $V_{UP}=17V$ Loophrough switch open
			1	1	1	X	X	$V_{OUT}=19V$ , $V_{UP}=22V$ Loophrough switch open
		0			1	X	X	22KHz tone is controlled by DSQIN pin
		1			1	X	X	22KHz tone is ON, DSQIN pin disabled
	0				1	X	X	$I_{OUT(min)}=500mA$ , $I_{OUT(max)}=650mA$ $I_{SC}=300mA$
	1				1	X	X	$I_{OUT(min)}=400mA$ , $I_{OUT(max)}=550mA$ $I_{SC}=300mA$
0					1	X	X	Pulsed (dynamic) current limiting is selected
1					1	X	X	Static current limiting is selected
X	X	X	X	X	0	X	X	Power blocks disabled, Loophrough switch closed

X= don't care.

Values are typical unless otherwise specified

RECEIVED DATA (I<sup>2</sup>C bus READ MODE)

The LNBP21 can provide to the Master a copy of the SYSTEM REGISTER information via I<sup>2</sup>C bus in read mode. The read mode is Master activated by sending the chip address with R/W bit set to 1. At the following master generated clocks bits, the

LNBP21 issues a byte on the SDA data bus line (MSB transmitted first).

At the ninth clock bit the MCU master can:

- acknowledge the reception, starting in this way the transmission of another byte from the LNBP21;

## LNBP21

- no acknowledge, stopping the read mode communication.

While the whole register is read back by the  $\mu\text{P}$ , only the two read-only bits OLF and OTF convey di-agnostic informations about the LNBP21.

PCL	ISEL	TEN	LLC	VSEL	EN	OTF	OLF	Function
These bits are read exactly the same as they were left after last write operation						0		$T_J < 140^\circ\text{C}$ , normal operation
						1		$T_J > 150^\circ\text{C}$ , power block disabled, Loothrough switch open
							0	$I_{\text{OUT}} < I_{\text{OMAX}}$ , normal operation
							1	$I_{\text{OUT}} > I_{\text{OMAX}}$ , overload protection triggered

Values are typical unless otherwise specified

### POWER-ON I2C INTERFACE RESET

The I2C interface built in the LNBP21 is automatically reset at power-on. As long as the  $V_{\text{CC}}$  stays below the UnderVoltage Lockout threshold (6.7V typ.), the interface will not respond to any I2C command and the System Register (SR) is initialised to all zeroes, thus keeping the power blocks disabled. Once the  $V_{\text{CC}}$  rises above 7.3V, the I2C interface becomes operative and the SR can be configured by the main  $\mu\text{P}$ . This is due to About 500mV of hysteresis provided in the UVL threshold to avoid false retriggering of the Power-On reset circuit.

### DiSEqCTM IMPLEMENTATION

The LNBP21 helps the system designer to implement the bi-directional (2.x) DiSEqC protocol by allowing an easy PWK modulation/demodulation of the 22KHz carrier. The PWK data are exchanged between the LNBP21 and the main  $\mu\text{P}$  using logic levels that are compatible with both 3.3 and 5V microcontrollers. This data exchange is made through two dedicated pins, DSQIN and DSQOUT, in order to maintain the timing relationships between the PWK data and the PWK modulation as accurate as possible. These two pins should be directly connected to two I/O pins of the  $\mu\text{P}$ , thus leaving to the resident firmware the task of encoding and decoding the

PWK data in accordance to the DiSEqC protocol. Full compliance of the system to the specification is thus not implied by the bare use of the LNBP21.

The system designer should also take in consideration the bus hardware requirements, that include the source impedance of the Master Transmitter measured at 22KHz. To limit the attenuation at carrier frequency, this impedance has to be 15ohm at 22KHz, dropping to zero ohm at DC to allow the power flow towards the peripherals. This can be simply accomplished by the LR termination put on the OUT pin of the LNBP, as shown in the Typical Application Circuit on page 5.

Unidirectional (1.x) DiSEqC and non-DiSEqC systems normally don't need this termination, and the OUT pin can be directly connected to the LNB supply port of the Tuner. There is also no need of Tone Decoding, thus, it is recommended to connect the DETIN and DSQOUT pins to ground to avoid EMI.

### ADDRESS PIN

Connecting this pin to GND the Chip I2C interface address is 0001000, but, it is possible to choose among 4 different addresses simply setting this pin at 4 fixed voltage levels (see table on page 10).

**ELECTRICAL CHARACTERISTICS FOR LNBP SERIES** ( $T_J = 0$  to  $85^\circ\text{C}$ , EN=1, LLC=0, TEN=0, ISEL=0, PCL=0, DSQIN=0,  $V_{\text{IN}}=12\text{V}$ ,  $I_{\text{OUT}}=50\text{mA}$ , unless otherwise specified. See software description section for I<sup>2</sup>C access to the system register)

Symbol	Parameter	Test Conditions	Min.	Typ.	Max.	Unit	
$V_{\text{IN}}$	Supply Voltage	$I_{\text{O}} = 500 \text{ mA}$ TEN=VSEL=LLC=1	8		15	V	
$V_{\text{LT1}}$	LT1 Input Voltage				20	V	
$I_{\text{IN}}$	Supply Current	$I_{\text{O}} = 0\text{mA}$ TEN=VSEL=LLC=1	EN=1	20	40	mA	
			EN=0	2.5	5	mA	
$V_{\text{O}}$	Output Voltage	$I_{\text{O}} = 500 \text{ mA}$ VSEL=1	LLC=0	17.3	18	18.7	V
			LLC=1		19		V



Symbol	Parameter	Test Conditions	Min.	Typ.	Max.	Unit	
V <sub>O</sub>	Output Voltage	I <sub>O</sub> = 500 mA VSEL=0	LLC=0	12.5	13	13.5	V
			LLC=1		14		V
ΔV <sub>O</sub>	Line Regulation	V <sub>IN1</sub> =15 to 18V	VSEL=0		5	40	mV
			VSEL=1		5	60	mV
ΔV <sub>O</sub>	Load Regulation	VSEL=0 or 1 I <sub>OUT</sub> = 50 to 500mA			200	mV	
I <sub>MAX</sub>	Output Current Limiting		ISEL=1	400		550	mA
			ISEL=0	500		650	mA
I <sub>SC</sub>	Output Short Circuit Current		ISEL=1		200		mA
			ISEL=0		300		mA
t <sub>OFF</sub>	Dynamic Overload protection OFF Time	PCL=0 Output Shorted		900		ms	
t <sub>ON</sub>	Dynamic Overload protection ON Time	PCL=0 Output Shorted		t <sub>OFF</sub> /10		ms	
f <sub>TONE</sub>	Tone Frequency	TEN=1	20	22	24	KHz	
A <sub>TONE</sub>	Tone Amplitude	TEN=1	0.55	0.72	0.9	V <sub>pp</sub>	
D <sub>TONE</sub>	Tone Duty Cycle	TEN=1	40	50	60	%	
t <sub>r</sub> , t <sub>f</sub>	Tone Rise and Fall Time	TEN=1	5	10	15	μs	
G <sub>EXTM</sub>	External Modulation Gain	ΔV <sub>OUT</sub> /ΔV <sub>EXTM</sub> , f = 10Hz to 40KHz		6			
V <sub>EXTM</sub>	External Modulation Input Voltage	AC Coupling			400	mV <sub>pp</sub>	
Z <sub>EXTM</sub>	External Modulation Impedance	f = 10Hz to 50KHz		260		Ω	
V <sub>LT</sub>	Loophrough Switch Voltage Drop (I <sub>t1</sub> to LT2)	EN=0, I <sub>LT</sub> =300mA, V <sub>MI</sub> =12 or 19V		0.35	0.6	V	
f <sub>SW</sub>	DC/DC Converter Switch Frequency			220		kHz	
f <sub>DETIN</sub>	Tone Detector Frequency Capture Range	0.4V <sub>pp</sub> sinewave	18		24	kHz	
V <sub>DETIN</sub>	Tone Detector Input Amplitude	f <sub>IN</sub> =22kHz sinewave	0.2		1.5	V <sub>pp</sub>	
Z <sub>DETIN</sub>	Tone Detector Input Impedance			150		kΩ	
V <sub>OL</sub>	Overload Flag Pin Logic LOW	Tone present I <sub>OL</sub> =2mA		0.3	0.5	V	
I <sub>OZ</sub>	Overload Flag Pin OFF State Leakage Current	Tone absent V <sub>OH</sub> = 6V			10	μA	
V <sub>IL</sub>	DSQIN Input Pin Logic LOW				0.8	V	
V <sub>IH</sub>	DSQIN Input Pin Logic HIGH		2			V	
I <sub>IH</sub>	DSQIN Pins Input Current	V <sub>IH</sub> = 5V		15		μA	
I <sub>OBK</sub>	Output Backward Current	EN=0 V <sub>OBK</sub> = 18V		-4	-10	mA	
T <sub>SHDN</sub>	Temperature Shutdown Threshold			150		°C	
ΔT <sub>SHDN</sub>	Temperature Shutdown Hysteresis			15		°C	

# LNBP21

## GATE AND SENSE ELECTRICAL CHARACTERISTICS ( $T_J = 0$ to $85^\circ\text{C}$ , $V_{IN}=12\text{V}$ )

Symbol	Parameter	Test Conditions	Min.	Typ.	Max.	Unit
$R_{\text{DSON-L}}$	Gate LOW $R_{\text{DSON}}$	$I_{\text{GATE}}=-100\text{mA}$		4.5		$\Omega$
$R_{\text{DSON-H}}$	Gate LOW $R_{\text{DSON}}$	$I_{\text{GATE}}=100\text{mA}$		4.5		$\Omega$
$V_{\text{SENSE}}$	Current Limit Sense Voltage			200		mV

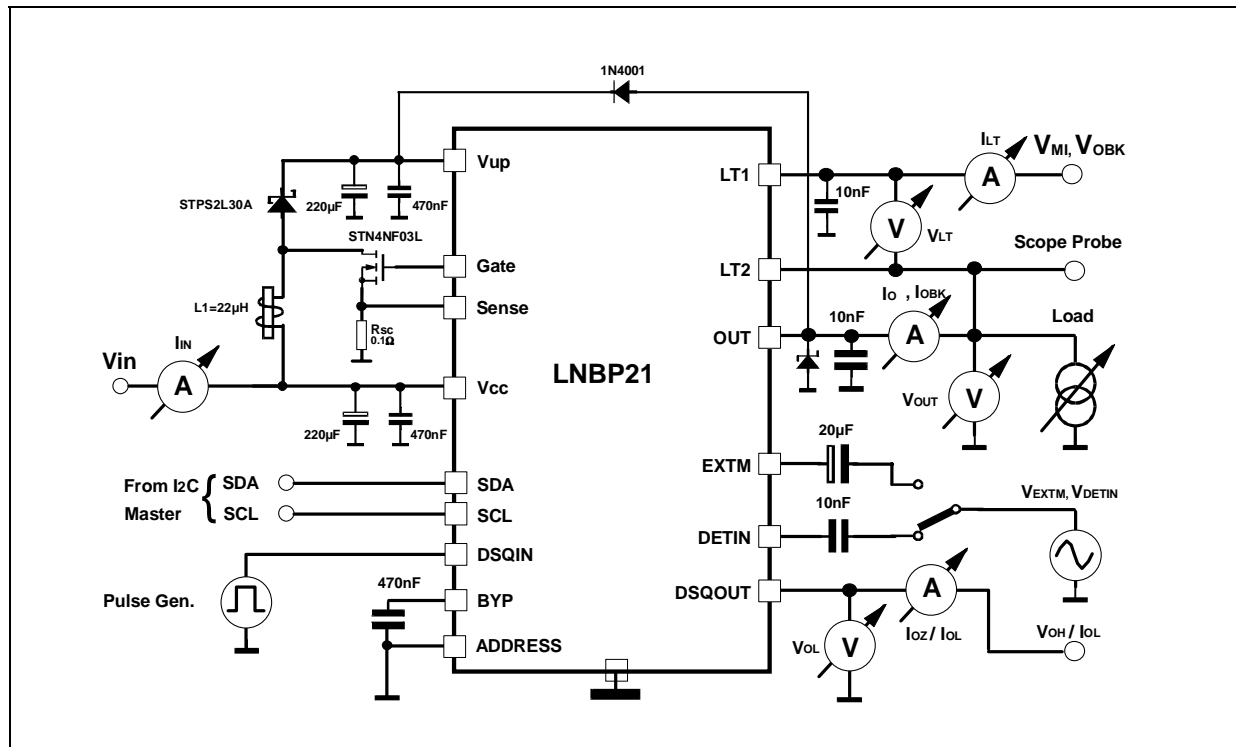
## I<sup>2</sup>C ELECTRICAL CHARACTERISTICS ( $T_J = 0$ to $85^\circ\text{C}$ , $V_{IN}=12\text{V}$ )

Symbol	Parameter	Test Conditions	Min.	Typ.	Max.	Unit
$V_{\text{IL}}$	LOW Level Input Voltage	SDA, SCL			0.8	V
$V_{\text{IH}}$	HIGH Level Input Voltage	SDA, SCL	2			V
$I_{\text{IH}}$	Input Current	SDA, SCL, $V_{\text{IN}}=0.4$ to $4.5\text{v}$	-10		10	$\mu\text{A}$
$V_{\text{IL}}$	DSQIN Input Pin Logic LOW	SDA (open drain), $I_{\text{OL}} = 6\text{mA}$			0.6	V
$f_{\text{MAX}}$	Maximum Clock Frequency	SCL	500			KHz

## ADDRESS PIN CHARACTERISTICS ( $T_J = 0$ to $85^\circ\text{C}$ , $V_{IN}=12\text{V}$ )

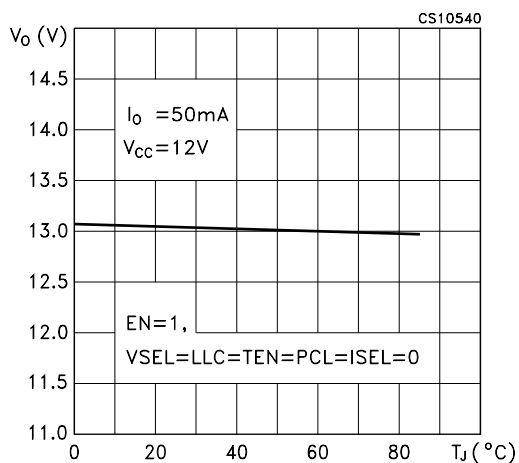
Symbol	Parameter	Test Conditions	Min.	Typ.	Max.	Unit
$V_{\text{ADDR-1}}$	"0001000" Addr Pin Voltage		0		0.7	V
$V_{\text{ADDR-2}}$	"0001001" Addr Pin Voltage		1.3		1.7	V
$V_{\text{ADDR-3}}$	"0001010" Addr Pin Voltage		2.3		2.7	V
$V_{\text{ADDR-4}}$	"0001011" Addr Pin Voltage		3.3		5	V

## TEST CIRCUIT

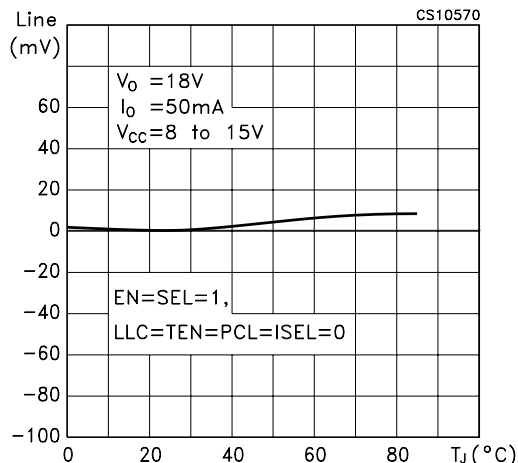


**TYPICAL CHARACTERISTICS** (unless otherwise specified  $T_j = 25^\circ\text{C}$ )

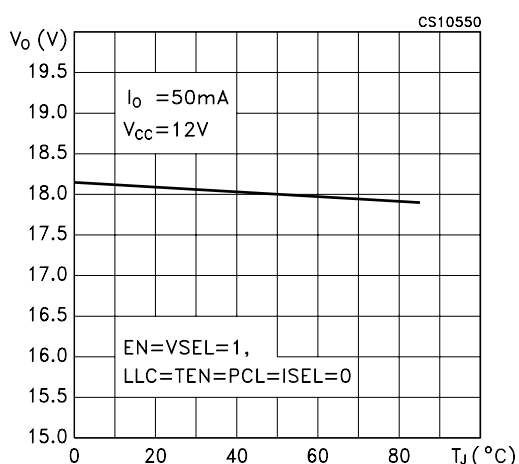
**Figure 4 : Output Voltage vs Temperature**



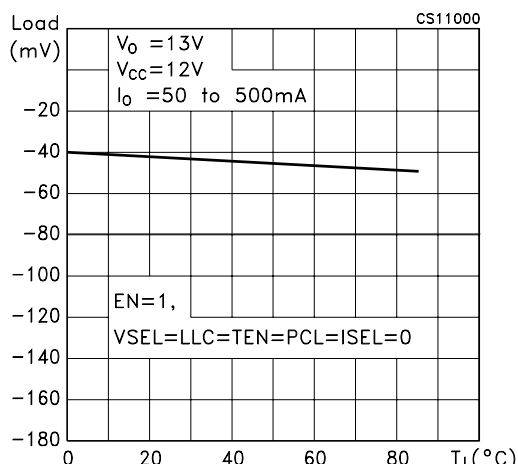
**Figure 7 : Line Regulation vs Temperature**



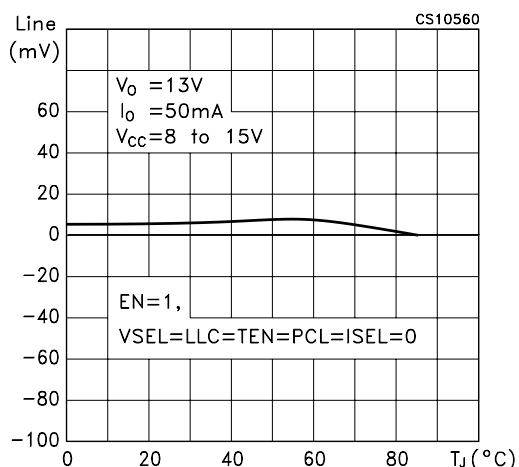
**Figure 5 : Output Voltage vs Temperature**



**Figure 8 : Load Regulation vs Temperature**



**Figure 6 : Line Regulation vs Temperature**



**Figure 9 : Load Regulation vs Temperature**

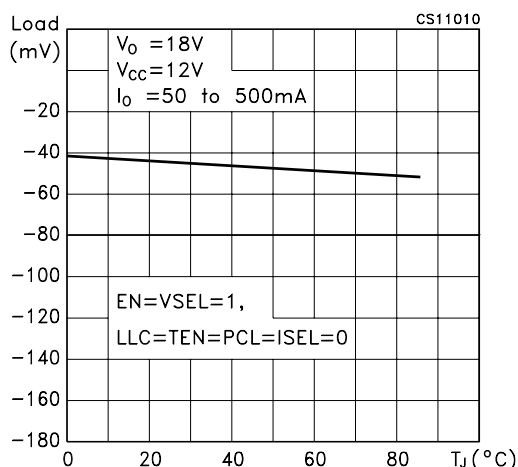


Figure 10 : Supply Current vs Temperature

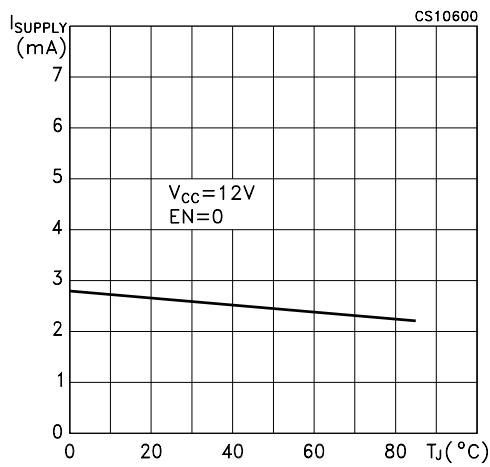


Figure 13 : Dynamic Overload Protection OFF Time vs Temperature

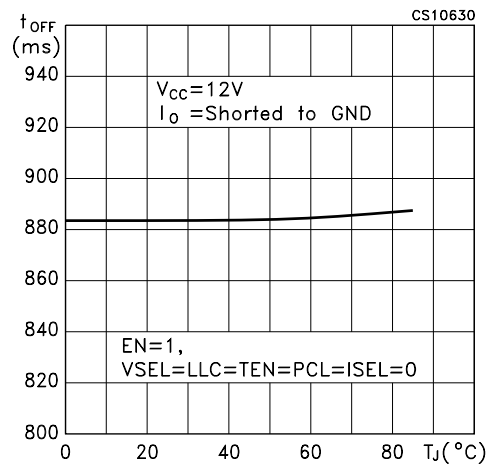


Figure 11 : Supply Current vs Temperature

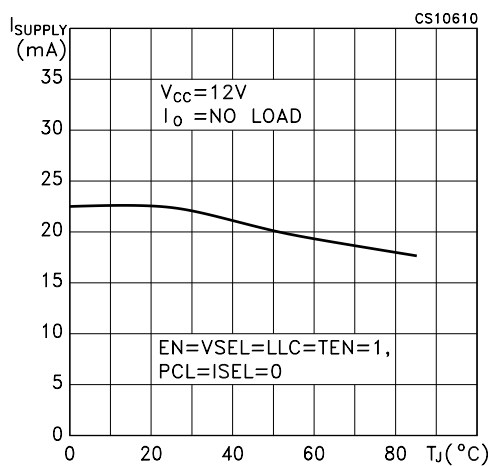


Figure 14 : Output Current Limiting vs Temperature

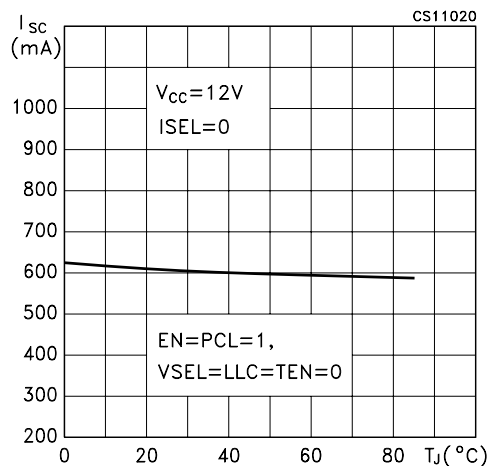


Figure 12 : Dynamic Overload Protection ON Time vs Temperature

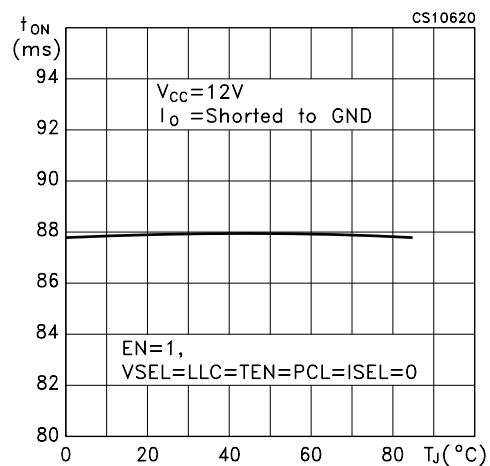


Figure 15 : Output Current Limiting vs Temperature

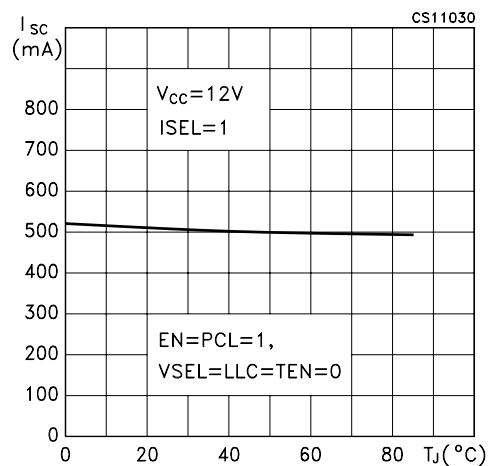


Figure 16 : Tone Frequency vs Temperature

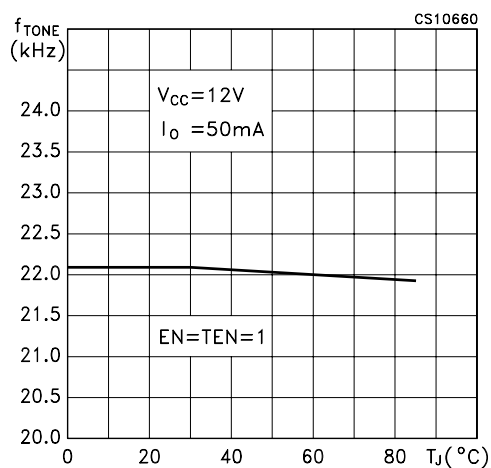


Figure 19 : Tone Rise Time vs Temperature

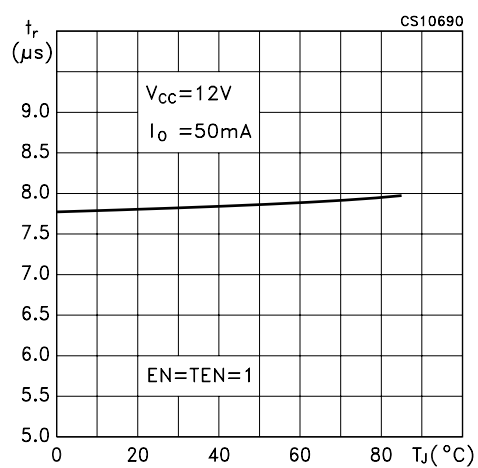


Figure 17 : Tone Amplitude vs Temperature

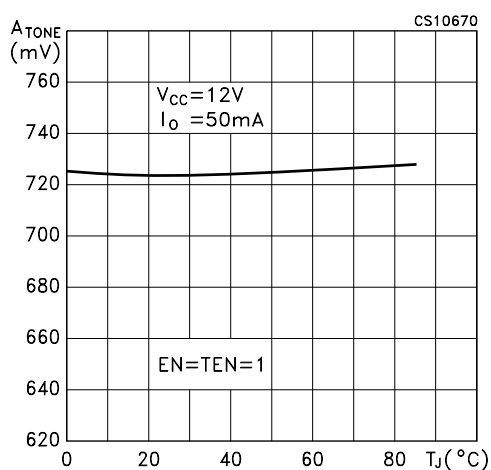


Figure 20 : Tone Fall Time vs Temperature

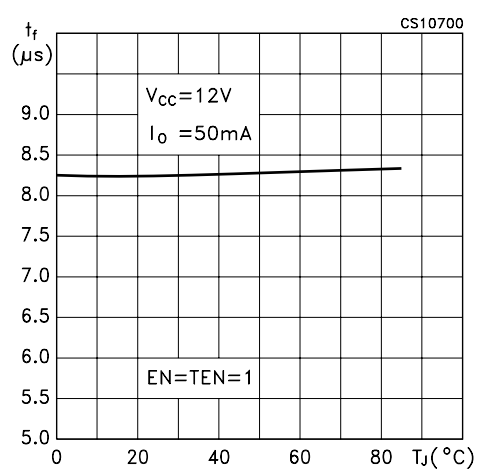


Figure 18 : Tone Duty Cycle vs Temperature

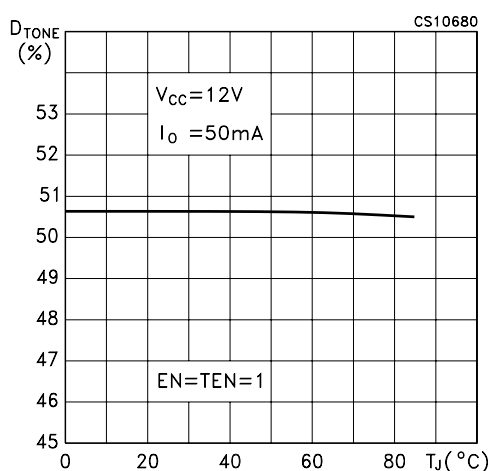
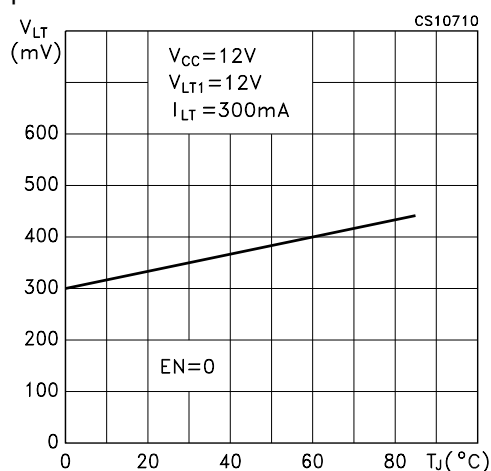
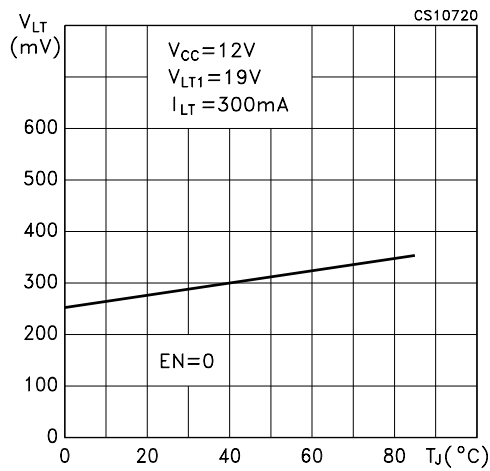


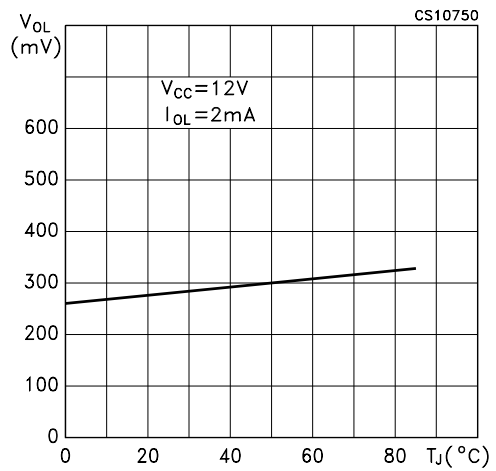
Figure 21 : Loopthrough Switch Drop Voltage vs Temperature



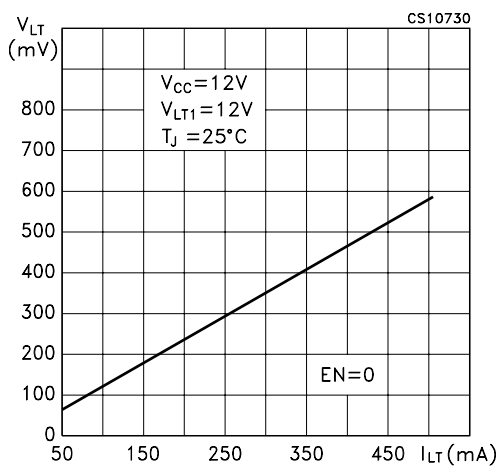
**Figure 22 : Loophthrough Switch Drop Voltage vs Temperature**



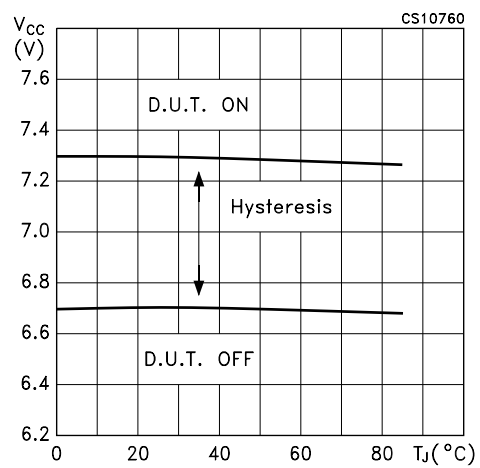
**Figure 25 : DSQOUT Pin Logic Low vs Temperature**



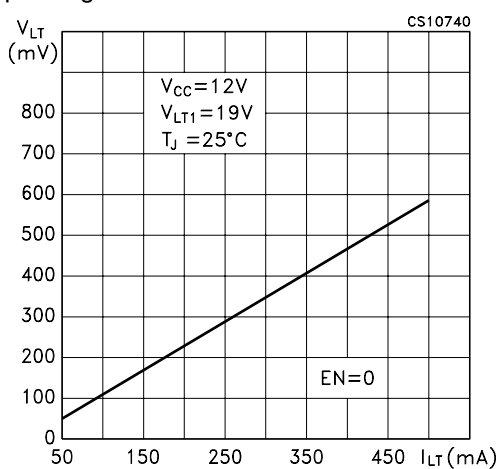
**Figure 23 : Loophthrough Switch Drop Voltage vs Loophthrough Current**



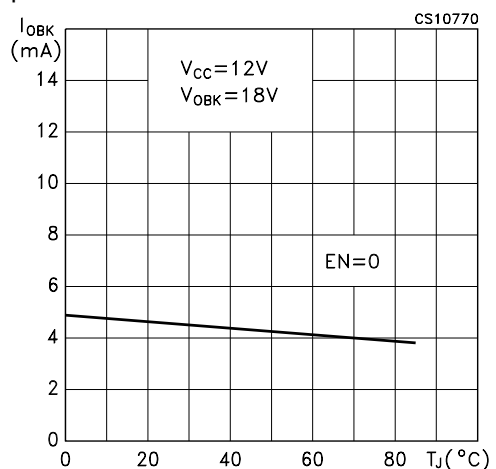
**Figure 26 : Undervoltage Lockout Threshold vs Temperature**



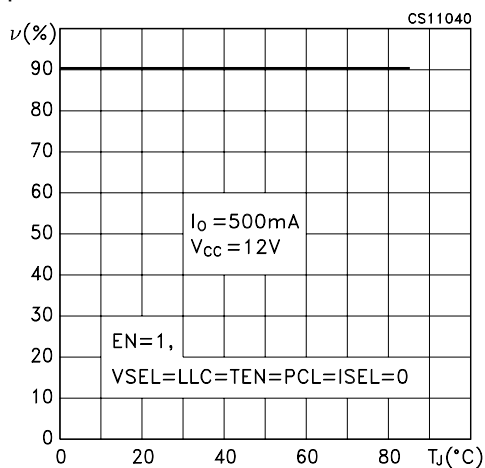
**Figure 24 : Loophthrough Switch Drop Voltage vs Loophthrough Current**



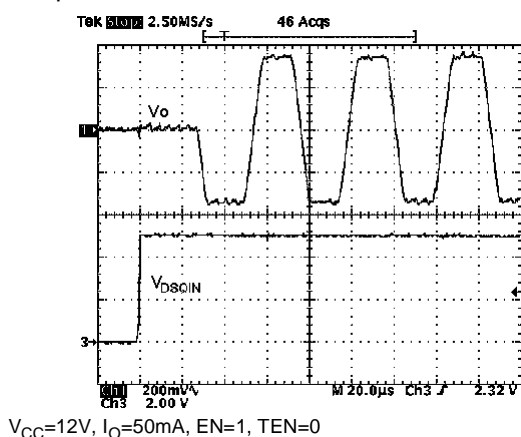
**Figure 27 : Output Backward Current vs Temperature**



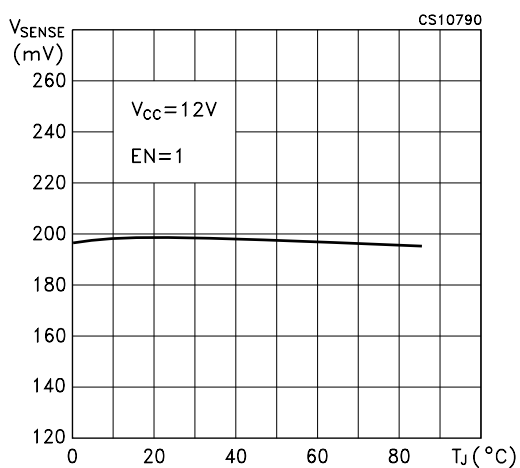
**Figure 28 : DC/DC Converter Efficiency vs Temperature**



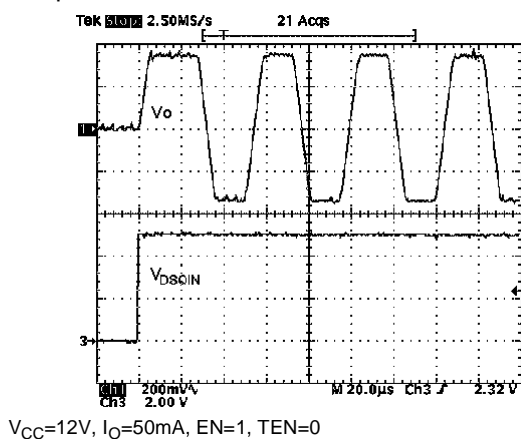
**Figure 31 : DSQIN Tone Enable Transient Response**



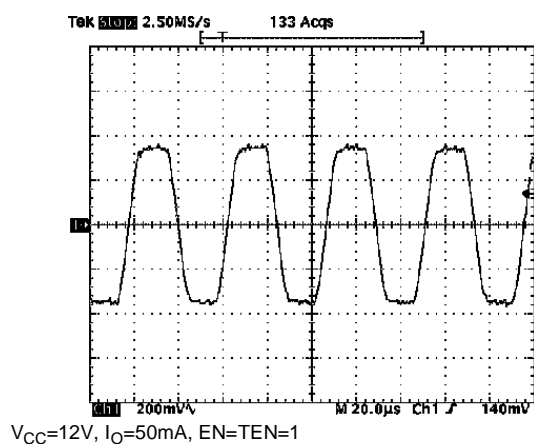
**Figure 29 : Current Limit Sense vs Temperature**



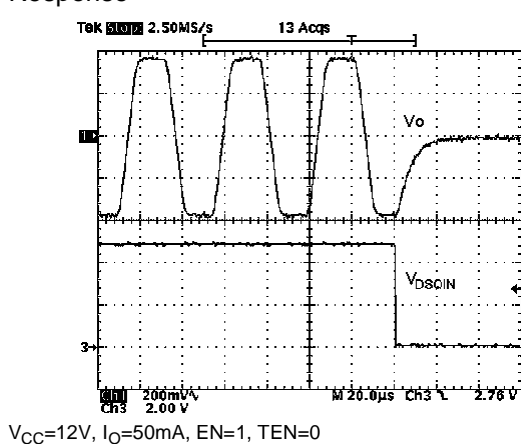
**Figure 32 : DSQIN Tone Enable Transient Response**



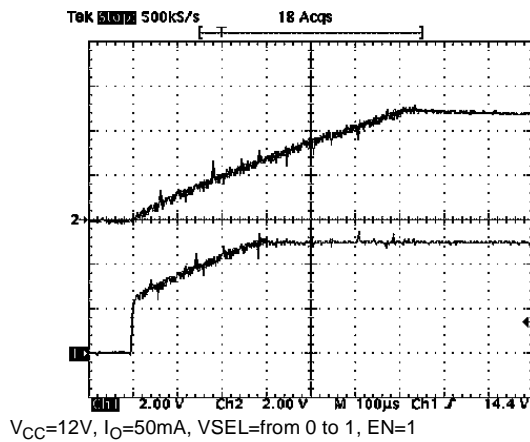
**Figure 30 : 22kHz Tone**



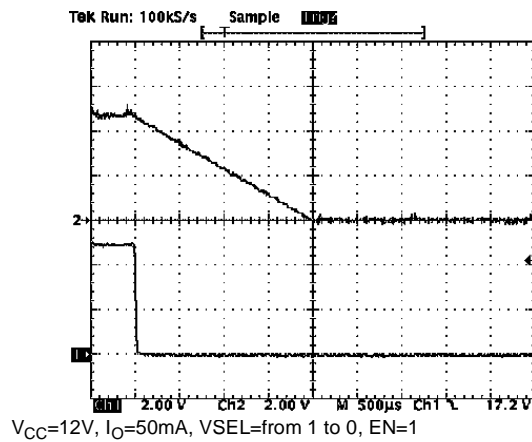
**Figure 33 : DSQIN Tone Disable Transient Response**



**Figure 34** : Output Voltage Transient Response from 13V to 18V



**Figure 35** : Output Voltage Transient Response from 13V to 18V



### TERMAL DESIGN NOTES

During normal operation, this device dissipates some power. At maximum rated output current (500mA), the voltage drop on the linear regulator lead to a total dissipated power that is of about 1.7W. The heat generated requires a suitable heatsink to keep the junction temperature below the overtemperature protection threshold. Assuming a 40°C temperature inside the Set-Top-Box case, the total  $R_{thj-amb}$  has to be less than 50°C/W.

While this can be easily achieved using a through-hole power package that can be attached to a small heatsink or to the metallic frame of the receiver, a surface mount power package must rely on PCB solutions whose thermal efficiency is often limited. The simplest solution is to use a large, continuous copper area of the GND layer to dissipate the heat coming from the IC body.

The SO-20 package of this IC has 4 GND pins that are not just intended for electrical GND connection, but also to provide a low thermal resistance path between the silicon chip and the PCB heatsink. Given an  $R_{thj-c}$  equal to 15°C/W, a maximum of 35°C/W are left to the PCB heatsink. This figure is achieved if a minimum of 25cm<sup>2</sup> copper area is placed just below the IC

body. This area can be the inner GND layer of a multi-layer PCB, or, in a dual layer PCB, an unbroken GND area even on the opposite side where the IC is placed. In both cases, the thermal path between the IC GND pins and the dissipating copper area must exhibit a low thermal resistance.

In figure 4, it is shown a suggested layout for the SO-20 package with a dual layer PCB, where the IC Ground pins and the square dissipating area are thermally connected through 32 vias holes, filled by solder. This arrangement, when  $L=50mm$ , achieves an  $R_{thc-a}$  of about 25°C/W.

Different layouts are possible, too. Basic principles, however, suggest to keep the IC and its ground pins approximately in the middle of the dissipating area; to provide as many vias as possible; to de-sign a dissipating area having a shape as square as possible and not interrupted by other copper traces.

Due to presence of an exposed pad connected to GND below the IC body, the PowerSO-20 package has a  $R_{thj-c}$  much lower than the SO-20, only 2°C/W. As a result, much lower copper area must be provided to dissipate the same power and minimum of 12cm<sup>2</sup> copper area is enough, see figure 5.



Figure 36 : SO-20 SUGGESTED PCB HEATSINK LAYOUT

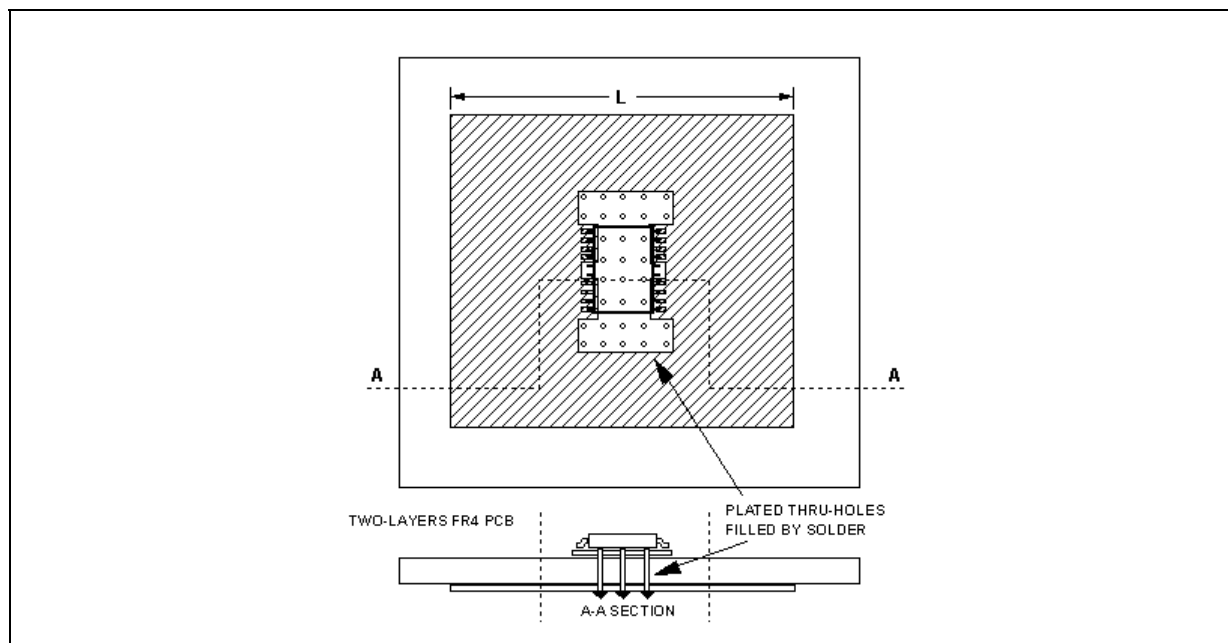
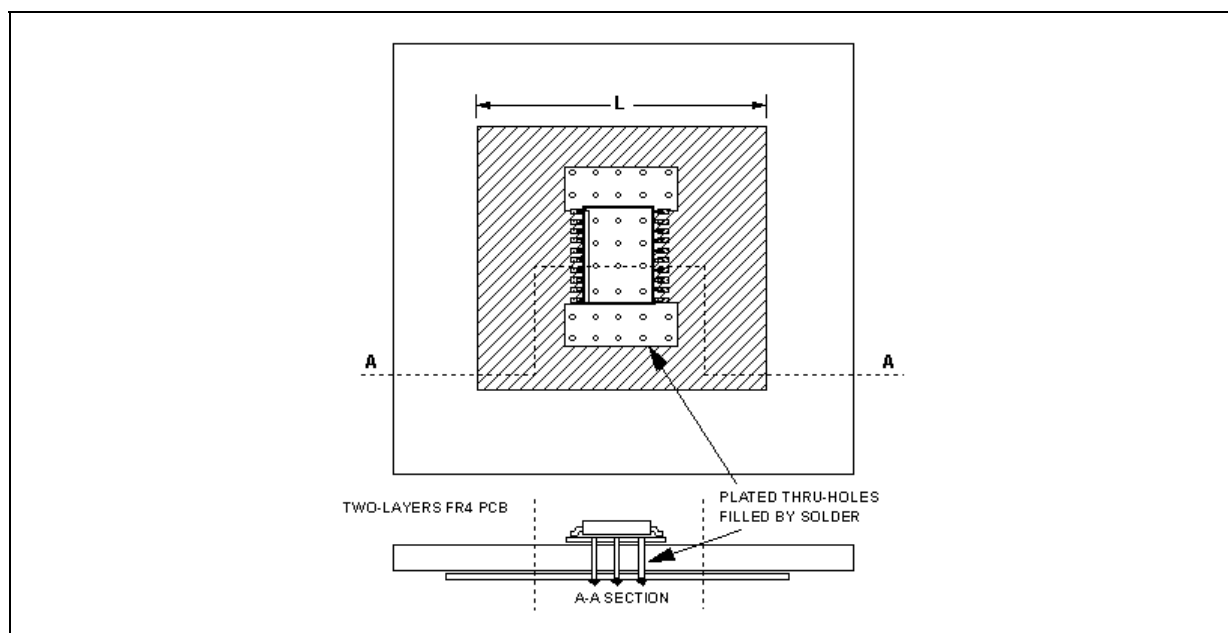
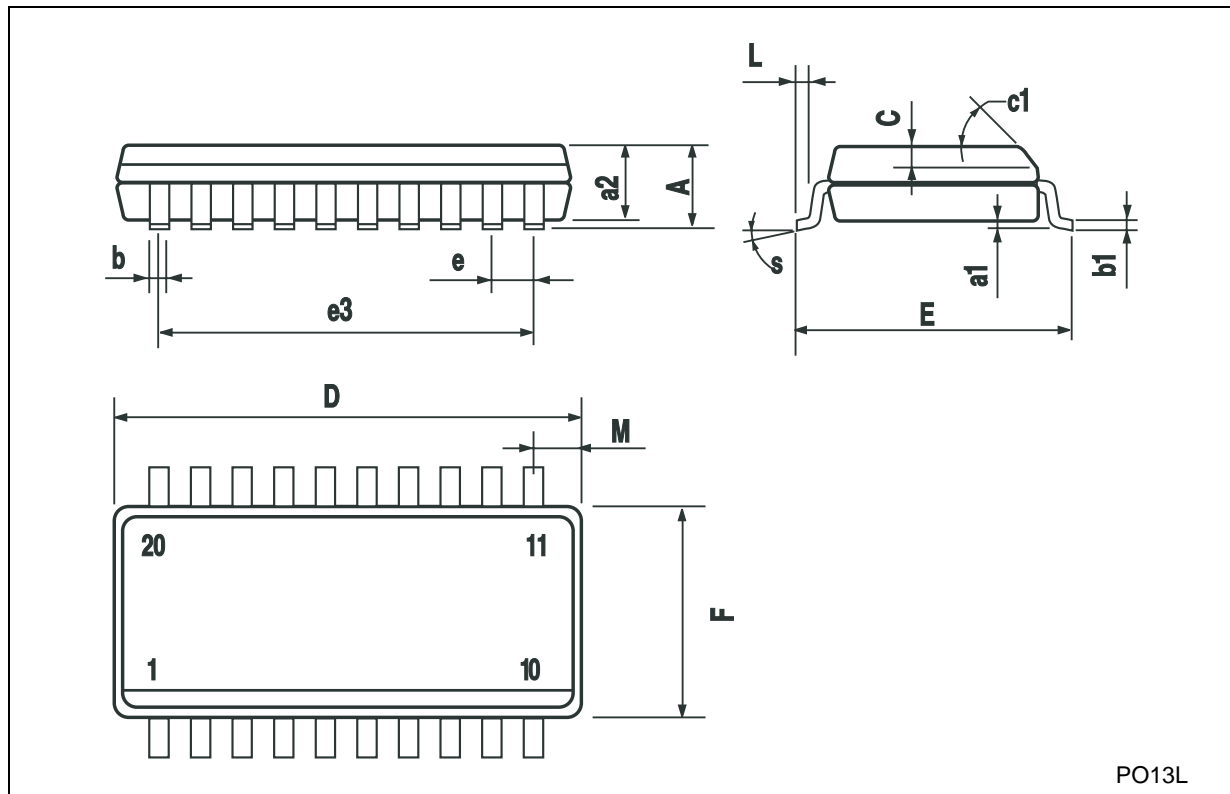


Figure 37 : PowerSO-20 SUGGESTED PCB HEATSINK LAYOUT



## SO-20 MECHANICAL DATA

DIM.	mm.			inch		
	MIN.	TYP.	MAX.	MIN.	TYP.	MAX.
A			2.65			0.104
a1	0.1		0.2	0.004		0.008
a2			2.45			0.096
b	0.35		0.49	0.014		0.019
b1	0.23		0.32	0.009		0.012
C		0.5			0.020	
c1	45° (typ.)					
D	12.60		13.00	0.496		0.512
E	10.00		10.65	0.393		0.419
e		1.27			0.050	
e3		11.43			0.450	
F	7.40		7.60	0.291		0.300
L	0.50		1.27	0.020		0.050
M			0.75			0.029
S	8° (max.)					

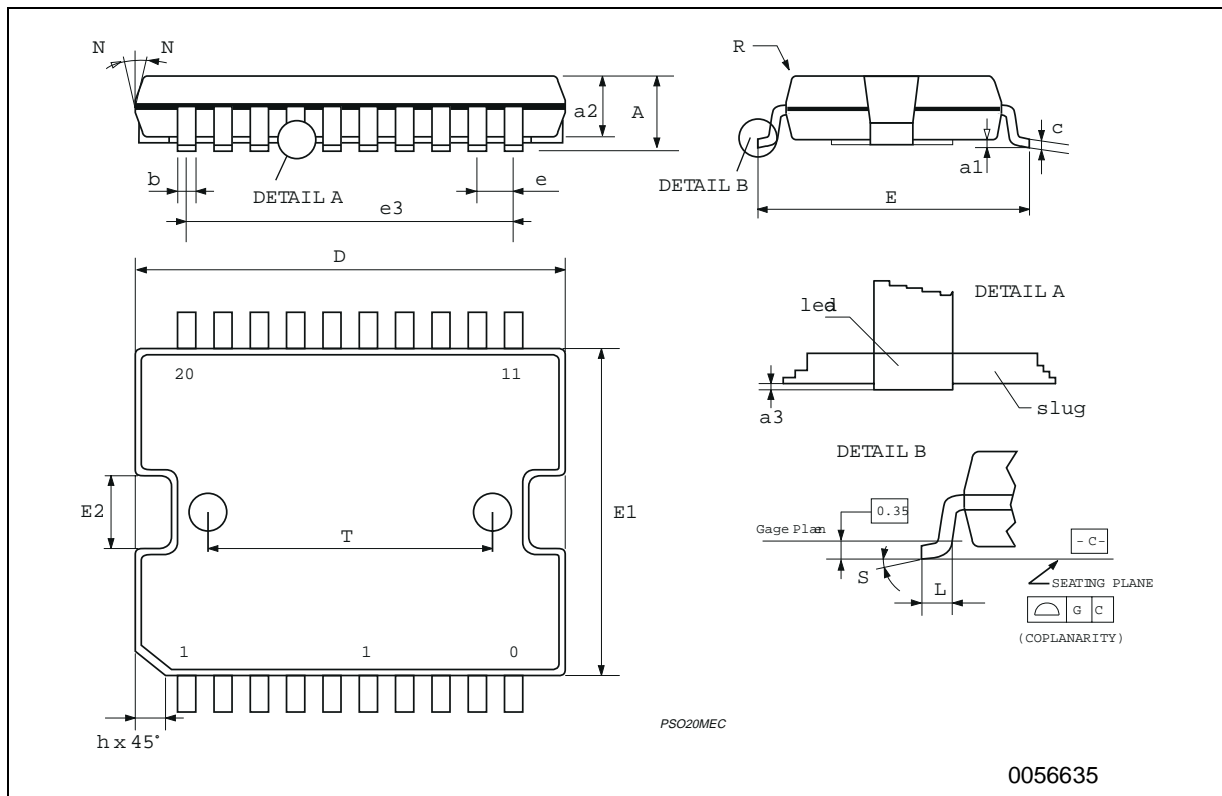


PO13L

**PowerSO-20 MECHANICAL DATA**

DIM.	mm.			inch		
	MIN.	TYP.	MAX.	MIN.	TYP.	MAX.
A			3.60			0.1417
a1	0.10		0.30	0.0039		0.0118
a2			3.30			0.1299
a3	0		0.10	0		0.0039
b	0.40		0.53	0.0157		0.0209
c	0.23		0.32	0.0090		0.0013
D (1)	15.80		16.00	0.6220		0.630
E	13.90		14.50	0.5472		0.5710
e		1.27			0.0500	
e3		11.43			0.4500	
E1 (1)	10.90		11.10	0.4291		0.4370
E2			2.90			0.1141
G	0		0.10	0.0000		0.0039
h			1.10			0.0433
L	0.80		1.10	0.0314		0.0433
N			10°			10°
S	0°		8°	0°		8°
T		10.0			0.3937	

(1) "D and E1" do not include mold flash or protusions - Mold flash or protusions shall not exceed 0.15mm (0.006")



Information furnished is believed to be accurate and reliable. However, STMicroelectronics assumes no responsibility for the consequences of use of such information nor for any infringement of patents or other rights of third parties which may result from its use. No license is granted by implication or otherwise under any patent or patent rights of STMicroelectronics. Specifications mentioned in this publication are subject to change without notice. This publication supersedes and replaces all information previously supplied. STMicroelectronics products are not authorized for use as critical components in life support devices or systems without express written approval of STMicroelectronics.

© The ST logo is a registered trademark of STMicroelectronics

© 2002 STMicroelectronics - Printed in Italy - All Rights Reserved  
STMicroelectronics GROUP OF COMPANIES

Australia - Brazil - Canada - China - Finland - France - Germany - Hong Kong - India - Israel - Italy - Japan - Malaysia - Malta - Morocco  
Singapore - Spain - Sweden - Switzerland - United Kingdom - United States.

© <http://www.st.com>